

**INSTRUCTION MANUAL
GUIDE D'UTILISATION
MANUAL DE INSTRUCCIONES**

INSTRUCTIVO DE OPERACIÓN, CENTROS DE SERVICIO Y PÓLIZA DE GARANTÍA. **ADVERTENCIA:** LÉASE ESTE INSTRUCTIVO ANTES DE USAR EL PRODUCTO.

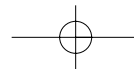
DEWALT®

DW872

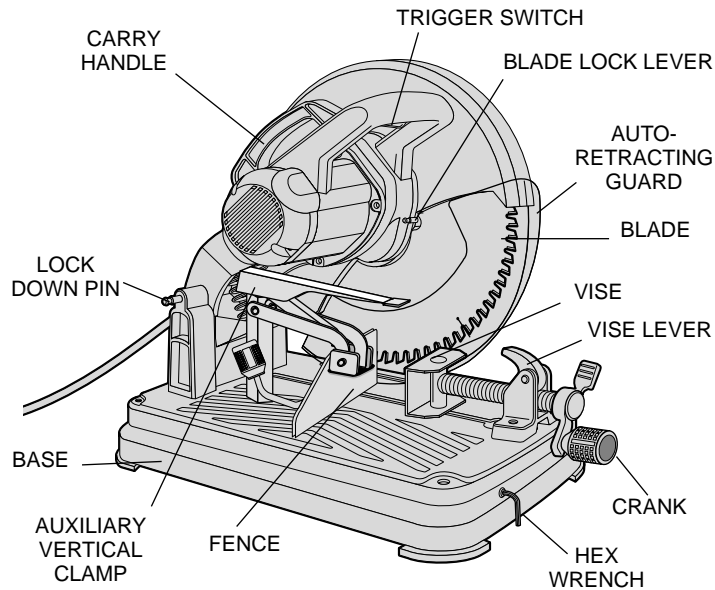
14" (355 mm) Multi-Cutter™ Saw

Scie Organe de Coupes Multiples^{MC} de 355 mm (14 po)

Sierra de Multi-Cutter™ de 14" (355 mm)



IF YOU HAVE ANY QUESTIONS OR COMMENTS ABOUT THIS OR ANY DEWALT TOOL, CALL US TOLL FREE AT:
1-800-4-DEWALT (1-800-433-9258)



⚠ WARNING: FOR YOUR OWN SAFETY READ INSTRUCTION MANUAL BEFORE OPERATING MULTI-CUTTER.

Important Safety Instructions

⚠ WARNING! Read and understand all instructions. Failure to follow all instructions listed below may result in electric shock, fire and/or serious personal injury.

Polarized Plugs

To reduce the risk of electric shock, this equipment has a polarized plug (one blade is wider than the other). This plug will fit in a polarized outlet, only one way. If the plug does not fit fully into the outlet, reverse the plug. If it still does not fit, contact a qualified electrician to install the proper outlet. Do not change the plug in any way. Units rated for 220 volts will have a different style plug that will not fit the outlet and is not polarized.

SAVE THESE INSTRUCTIONS

- **KEEP GUARDS IN PLACE** and in working order.
- **REMOVE ADJUSTING KEYS AND WRENCHES.** Form habit of checking to see that keys and adjusting wrenches are removed from tool before turning it on.
- **KEEP WORK AREA CLEAN.** Cluttered areas and benches invite injuries.
- **DON'T USE IN DANGEROUS ENVIRONMENT.** Don't use power tools in damp or wet locations, or expose them to rain. Keep work area well lighted.
- **KEEP CHILDREN AWAY.** All visitors should be kept at a safe distance from work area.
- **MAKE WORKSHOP KID PROOF** with padlocks, master switches, or by removing starter keys.
- **DON'T FORCE TOOL.** It will do the job better and safer at the rate for which it was designed.
- **USE RIGHT TOOL.** Don't force tool or attachment to do a job for which it was not designed.
- **USE PROPER EXTENSION CORD.** Make sure your extension cord is in good condition. When using an extension cord, be sure

English

to use one heavy enough to carry the current your product will draw. An undersized cord will cause a drop in line voltage resulting in loss of power and overheating. The following table shows the correct size to use depending on cord length and nameplate ampere rating. If in doubt, use the next heavier gage. The smaller the gage number, the heavier the cord.

Minimum Gage for Cord Sets				
Volts	Total Length of Cord in Feet			
120V	0-25	26-50	51-100	101-150
240V	0-50	51-100	101-200	201-300
Ampere Rating	Not more Than		AWG	
More Than				
0 - 6	18	16	16	14
6 - 10	18	16	14	12
10- 12	16	16	14	12
12- 16	14	12	Not Recommended	

- **WEAR PROPER APPAREL.** Do not wear loose clothing, gloves, neckties, rings, bracelets, or other jewelry which may get caught in moving parts. Non-slip footwear is recommended. Wear protective hair covering to contain long hair.
- **ALWAYS USE SAFETY GLASSES.** Also use face or dust mask if cutting operation is dusty. Everyday eyeglasses only have impact resistant lenses, they are not safety glasses.
- **SECURE WORK.** Use clamps, including supplied auxiliary vertical clamp and/or a vise to hold work. It's safer than using your hand.
- **DON'T OVERREACH.** Keep proper footing and balance at all times.
- **MAINTAIN TOOLS WITH CARE.** Keep tools sharp and clean for best and safest performance. Follow instructions for lubricating and changing accessories.
- **DISCONNECT TOOLS** before servicing; when changing accessories, such as blades, bits, cutters, and the like.
- **REDUCE THE RISK OF UNINTENTIONAL STARTING.** Make sure switch is in off position before plugging in.
- **USE RECOMMENDED ACCESSORIES.** Consult the instruction

manual for recommended accessories. The use of improper accessories may cause risk of injury to persons.

- **NEVER STAND ON TOOL.** Serious injury could occur if the tool is tipped over or if the cutting tool is unintentionally contacted.
- **CHECK DAMAGED PARTS.** Before further use of the tool, a guard or other part that is damaged should be carefully checked to determine that it will operate properly and perform its intended function — check for alignment of moving parts, binding of moving parts, breakage of parts, mounting, and any other conditions that may affect its operation. A guard or other part that is damaged should be properly repaired or replaced.
- **NEVER LEAVE TOOL RUNNING UNATTENDED. TURN POWER OFF.** Don't leave tool until it comes to a complete stop.
- **REPLACEMENT PARTS.** When servicing use only identical replacement parts.
- **TO REDUCE THE RISK OF ELECTRIC SHOCK,** this equipment has a polarized plug (one blade is wider than the other.) This plug will fit in a polarized outlet only one way. If the plug does not fit, contact a qualified electrician to install the proper outlet. **DO NOT CHANGE THE PLUG IN ANY WAY.**

Additional Specific Safety Rules

- **BE SURE THE BLADE BOLT IS TIGHTENED SECURELY BEFORE CUTTING.**
- Wear eye protection.
- Keep hands out of path of saw blade. Never cut a piece where hand would be 6" (152 mm) or less from blade.
- Do not operate saw without guards in place.
- Do not perform any operation freehand.
- Never reach in back of saw blade.
- Turn off tool and wait for saw blade to stop before moving workpiece or changing settings.
- Disconnect power before changing blade or servicing.
- No Load speed of this tool is 1300 rpm.
- Always position tool on a flat, stable surface before use.

- Do not use cutting fluids with this electric tool. The fluids could ignite, cause electrical shock, or chemically attack the plastic lower guard.
- Be aware of cutting chips and the material being cut. They may be sharp and hot. Allow cut off parts to cool before handling
- Before using, inspect the blade for cracks or flaws. If a crack or flaw is evident—discard the blade! The blade should also be inspected whenever you think the tool or blade may have been dropped.
- Never start the tool with a person in line with the blade. This includes the operator.
- In operation, avoid bouncing the blade or giving it rough treatment. If this occurs, stop the tool and inspect the blade.
- Clean your tool periodically following the procedure in this manual.
- Do not remove blade guards.
- **ALWAYS USE THE VISE OR SPECIAL FIXTURE TO CLAMP WORK SECURELY.** Other aids such as the supplied auxiliary vertical clamp, spring, bar, or C-clamps may be appropriate for certain sizes and shapes of workpiece. Use care in selecting and placing these clamps and make a dry run before making a cut. The auxiliary vertical clamp must be used when cutting on the upstroke of the blade See Auxiliary Vertical Clamp section of this manual.
- **NEVER CUT MAGNESIUM WITH THIS TOOL.**
- Use tool in a well-ventilated area.
- Turn tool off before removing any pieces from the base.
- **DO NOT CUT ELECTRICALLY LIVE MATERIAL.**
- Use only genuine DeWALT 14" (355mm) carbide tipped metal cutting blades. Never use abrasive cut off wheels or other type of saw blade.
- Do not cut concrete, stone, brick, tile or ceramic.
- Make sure the blade lock (Fig. 4) is released before switch is turned on.
- Keep hands and body away from rotating blade.
- Make sure blade is not contacting the work piece before the switch is turned on.
- DO NOT CUT material LESS than 18 gauge (.0478", 1.2 mm) in thickness.
- **DO NOT OPERATE THIS TOOL NEAR FLAMMABLE LIQUIDS, GASES OR DUST.** Sparks or hot chips from cutting or arcing motor

brushes may ignite combustible materials.

⚠WARNING: Some dust created by power sanding, sawing, grinding, drilling, and other construction activities contains chemicals known to cause cancer, birth defects or other reproductive harm. Some examples of these chemicals are:

- lead from lead-based paints,
- crystalline silica from bricks and cement and other masonry products, and
- arsenic and chromium from chemically-treated lumber (CCA).

Your risk from these exposures varies, depending on how often you do this type of work. To reduce your exposure to these chemicals: work in a well ventilated area, and work with approved safety equipment, such as those dust masks that are specially designed to filter out microscopic particles.

Power Supply

Be sure your power supply agrees with the nameplate marking. 120 volts, "60 Hz" means alternating current (normal 120 volt, 60 Hz house current).

A voltage decrease of more than 10% will cause a loss of power and overheating.

Cutting Capacity

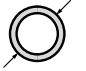
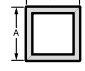
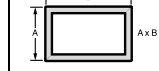
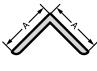
The wide vise opening and high pivot point provide cutting capacity for many large pieces. Use the cutting capacity chart to determine total maximum size of cuts that can be made.

⚠CAUTION: CERTAIN LARGE, CIRCULAR OR IRREGULARLY SHAPED OBJECTS MAY REQUIRE ADDITIONAL HOLDING MEANS IF THEY CANNOT BE HELD SECURELY IN THE VISE.

Maximum Cutting Capacity

NOTE: CAPACITY SHOWN ON CHART ASSUMES OPTIMUM FENCE POSITION.

English

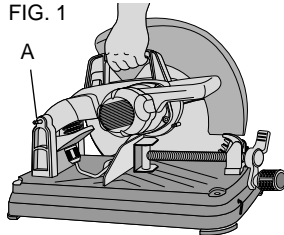
Work Piece Shape Cutting Angle				
90°	5-3/16"	4-3/4"	4-1/4 x 7"	5-9/16"

Standard Equipment

- 1 14" (355mm) genuine DeWALT Metal Cutting Blade.
- 1 Blade Wrench in base holder.
- 1 Vise Attachment
- 1 Auxiliary vertical clamp

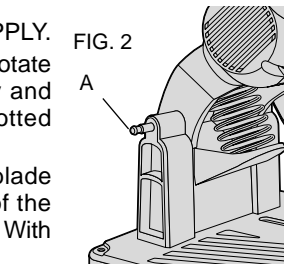
To Carry (Fig. 1)

Fold down unit to position where you can carry the saw. Push in lock pin (A) to lock arm down.



Unlocking (Fig. 2)

To unlock tool, depress carry handle slightly and pull lock pin (A) out. Motor arm will then pivot upward.



Installation of Blade (Fig. 3 & 4)

1. UNPLUG UNIT FROM POWER SUPPLY.
2. With motor arm in the up position, rotate the lower guard (A) out of the way and hold with one hand. (Shown in dotted lines to show the rest of the detail)
3. With the same hand, depress the blade lock lever (I) until it engages one of the holes in the inner clamp washer (H). With

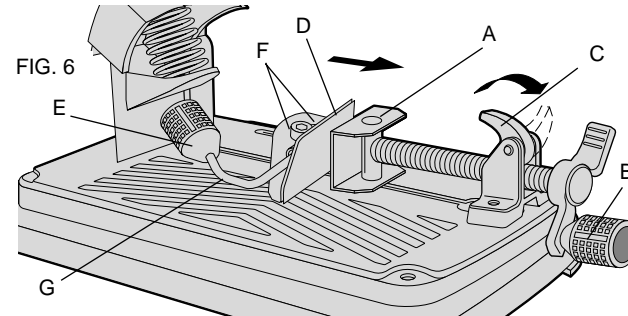
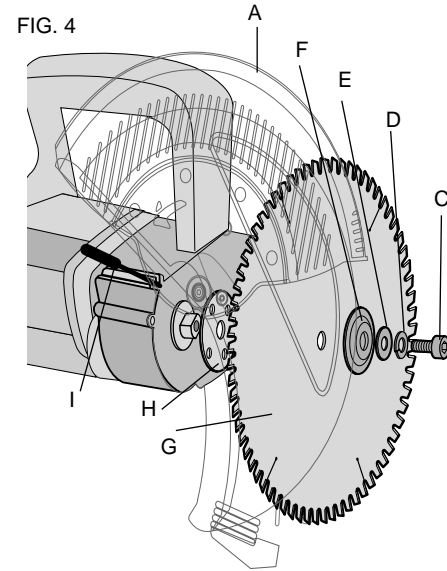
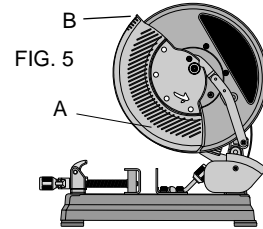
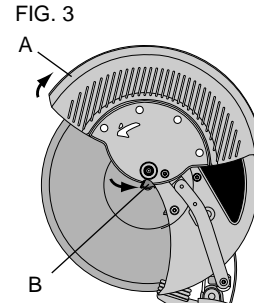


FIG. 7

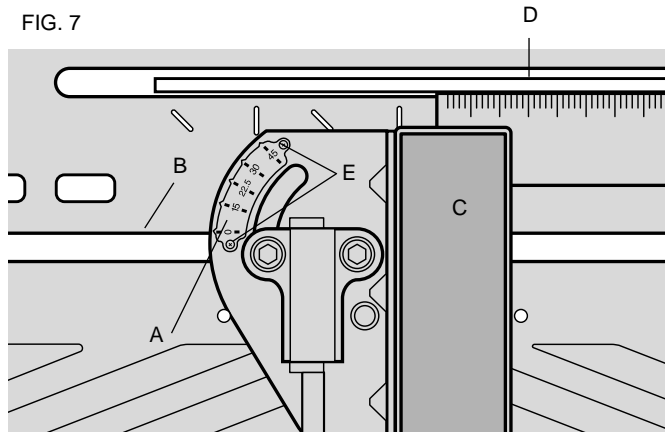


FIG. 8

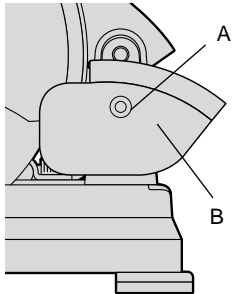
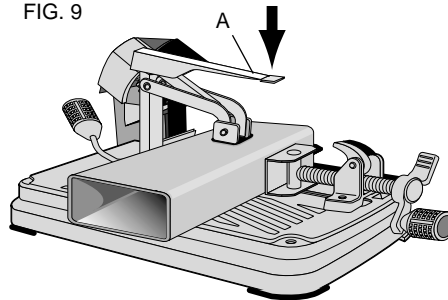


FIG. 9



- the hex wrench rotate the bolt cover (B) out of the way and loosen the bolt (C) counterclockwise. Then remove the bolt (C), lock washer (D), the flat washer (E) and the outer clamp washer (F).
4. Install blade (G) oriented as shown against the inner clamp washer (H). Reassemble the outer clamp washer, flat washer, lock washer and bolt hand tight.
 5. With blade lock engaged, tighten the bolt securely with the hex wrench.
 6. Remove hex wrench then release lower guard and blade lock lever.
 7. Use same steps to remove the blade.

DO NOT MAKE ANY ADJUSTMENT WHILE TOOL IS PLUGGED INTO POWER SUPPLY.

⚠ WARNING: VISUALLY CHECK BLADE FOR CRACKS OR OTHER DAMAGE. VERIFY PROPER BLADE INSTALLATION BEFORE USE. IF BLADE IS DAMAGED IN ANY WAY, HAVE IT RECONDITIONED AT A QUALIFIED SAW BLADE SERVICE SHOP.

⚠ WARNING: BE SURE THE BLADE BOLT IS TIGHTENED SECURELY AND THE BOLT COVER IS COVERING THE BOLT HEAD BEFORE CUTTING.

Auto Retracting Guard (Fig. 5)

This tool has an automatic retracting lower guard system. The blade is exposed as it approaches the material and is covered in the up position.

- When cutting very large pieces, it may be necessary to manually assist the guard in retracting. To accomplish this, rotate the guard (A) slightly by the lip (B), just enough to clear the workpiece and release.
- Keep hands and other body parts away from rotating blade.
- Do not remove blade guard system.
- Keep guard system in good operating condition.

Vise Operation (Fig. 6)

The vise (A) has a quick travel feature. To release the vise when it is clamped tightly, turn the crank (B) counterclockwise one or two times to remove clamping pressure. Lift vise lever (C). Pull crank assembly out as far as desired. Vise may be shoved into work without cranking. Lower vise lever then tighten vise on work by using crank.

Fence Operation (Fig. 6)

The fence (D) requires no wrenches to operate. The quick release clamp lever (E) unlocks and locks the fence. When the lever is rotated fully forward, toward the vise, the fence is unlocked. The fence can then be freely moved forward, backward or rotated to allow for the best cutting position.

Pushing the lever fully to the rear locks the fence in position selected. If the leg (G) of the lever is not horizontal (parallel to the base), the fence is not locked. Lever will only lock fence when there is strong resistance to rotate it backwards, which engages the cam action. If resistance is light, adjust clamping force by slightly tightening the two bolts (F) holding the fence to the base. Test by clamping the workpiece with the vise. Adjust as needed to assure that the fence does not move and the workpiece is securely clamped.

Fence Angle Adjustment (Fig. 7)

To make angle cuts, unlock and rotate the fence until the desired angle on the angle plate (A) lines up with the edge of the slot (B) in the base, then re-lock the fence.

The angle plate (A) is attached to the fence by screws (E) and is preset at the factory. If it becomes necessary to readjust the angle plate for accuracy, perform the following steps.

1. DISCONNECT THE POWER SUPPLY.
2. Unlock the fence and lock the arm in the down position so the

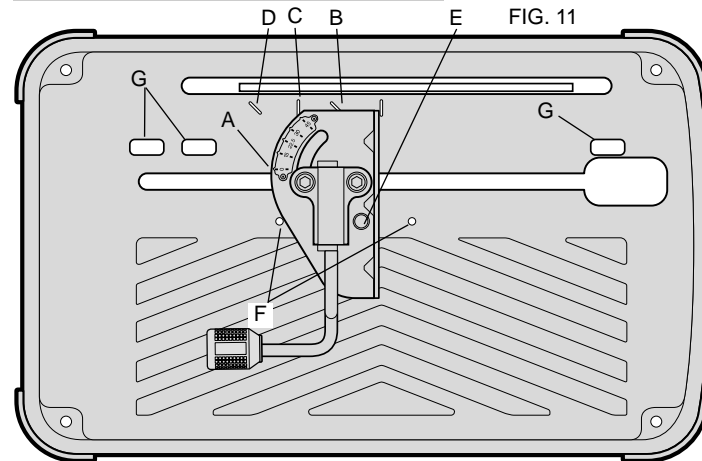
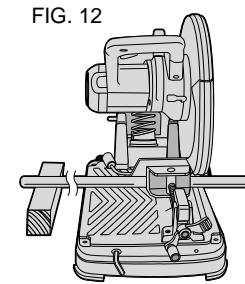
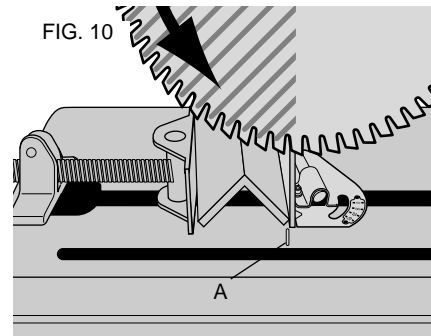


FIG. 13

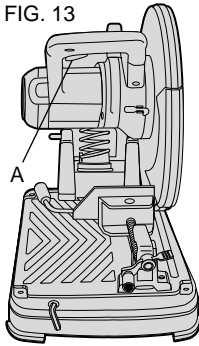


FIG. 14

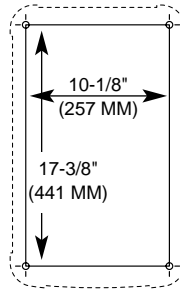
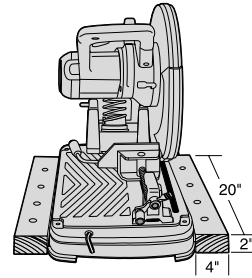


FIG. 15



- blade extends into the base.
- Place a square (C) against the blade (D), adjust the fence against the square and then re-lock the fence.
 - Unlock and raise the arm.
 - Loosen the two angle plate screws (E). Align the 0° pointer with the edge of the slot (B) and retighten the screws.

Chip Deflector Adjustment (Fig. 8)

To aim chips away from surrounding area or into a collection bin, loosen the screw (A), adjust the chip deflector (B) angle and retighten the screw.

Auxiliary Vertical Clamp (Fig. 9)

The auxiliary vertical clamp (A) **MUST** be used with the vise when cutting wide or irregular shaped materials, when making angle cuts, and when the fence is in the rear positions where the upstroke of the blade tends to pull the workpiece up from the vise.

To use the clamp, insert it in one of the holes (Fig. 11,G) in the base until the clamp rests on the workpiece. Press the lever down as shown in Fig. 9 to lock the workpiece in place. Lift the lever to release

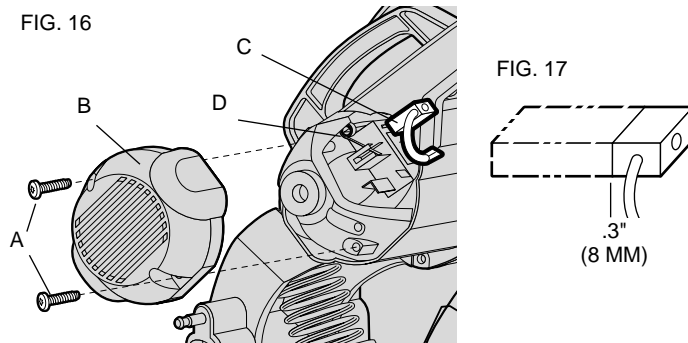
the clamp.

NOTE: When clamping thin stock, a shim of suitable thickness may be required under the clamp pad.

⚠ WARNING: Failure to use vertical clamping when cutting on the upstroke of the blade may result in serious damage to the tool and possible personal injury.

Material Positioning and Clamping Tips (Fig. 10, 11, 12)

- TURN OFF AND UNPLUG TOOL BEFORE MAKING ANY ADJUSTMENT TO THE SAW OR REPOSITIONING A WORKPIECE.**
- In general, position the workpiece so it will be cut on the downstroke of the blade. (Shaded area) Slot (A) indicates the best fence position for general cutting at 90°.
- Slots (A) and (B) indicate the best fence positions for general cutting at 90° and 45°. Slots (C) and (D) indicate the same for larger pieces. (Fig. 11)
- When the fence is lined up with a slot in the base, the spring loaded pin (E) will drop into the corresponding hole (F) in the base to further secure the fence position. To move fence to another position, pull up the pin.
- The fence can also be used in other angles and positions, as needed.
- Long workpieces must be supported by a block so it will be level with the saw table. The cut off piece should be free to fall downward to avoid blade binding. (Fig. 12)
- ALWAYS CLAMP THE WORKPIECE SECURELY, NO EXCEPTIONS.**
- Always clamp the workpiece with the vise and auxiliary vertical clamp as described.
- The auxiliary vertical clamp or other clamping aids such as spring, bar or C-clamps will compliment the vise for holding certain sizes and shapes of work pieces. Use care in selecting and placing these



clamps. Make a dry run before making the cut.

Switch (Fig. 13)

To start the tool, depress the trigger switch (A). To turn the tool off, release the trigger switch. Keep hands and material from blade until it has coasted to a stop.

⚠ CAUTION: MAKE SURE THE BLADE IS NOT TOUCHING THE WORKPIECE WHEN THE TOOL IS STARTED.

Cutting Process Checklist

1. BEFORE STARTING THE TOOL, MAKE SURE:
 - Tool is securely mounted on a stable surface.
 - Blade is mounted correctly and blade bolt is tight.
 - Fence is set properly and locked in place.
 - Workpiece is held firmly in the vise and vertically clamped as described.
 - Chip deflector is properly adjusted.
2. Start the motor and allow the blade to come up to full speed.
3. Pull the handle down slowly to make initial contact with the

workpiece. Once contact is made, increase feed rate, allowing the blade to do the work. Slow down just before the cut is complete.

4. After the cut is complete, turn the tool off and keep hands away until blade has stopped spinning.

⚠ CAUTION: When cutting small pieces, (less than one inch) the scrap may be thrown toward the rear of the unit.

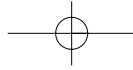
Good Care/Cutting Practices

1. The blade teeth are made of carbide material which is very hard, yet brittle. Vibration increases side loads that could cause chipping of teeth or cracking of the blade. Here are some important tips that will help prolong the life of the blade and the tool:
 - Position the workpiece as much as possible under the downstroke of the blade (Figure 10). Material must be firmly clamped and supported to reduce vibration. **NO EXCEPTIONS.**
 - Never perform cuts on small workpieces bundled together.
 - Position the workpiece so that the blade is cutting through the smallest cross section.
 - Avoid cutting large, flat, horizontal surfaces where possible. The lowest number of blade teeth contacting the workpiece during the cut will produce the least amount of heat and increase blade life.
2. The following signs indicate that the blade is worn and should be resharpened or replaced:
 - *Poor cutting performance.*
 - *More sparks than chips created during a cut.*
 - *The ringing sound of the blade increases.*

Procedure For Permanent Mounting (Fig. 14)

(Recommended when multiple cuts will be made at the same location)

1. Drill four holes 5/16" through the work surface. (Figure 14)



2. Insert 1/4-20 screws down through the holes in the base and through holes in mounting surface. The approximate length of the screws should be the thickness of the mounting surface plus 4 inches.

CRADLE MOUNTING

1. Cut two boards approximately 20" long x 2" high x 4" wide.
2. Place tool at desired work location.
3. Place boards tightly along side, and attach to work surface, (Figure 15).

Maintenance

Motor Brush Inspection and Replacement (Fig. 16)

BE SURE TOOL IS UNPLUGGED BEFORE INSPECTING BRUSHES. Brushes should be regularly inspected for wear. To inspect brushes, unscrew the two end cap screws (A) and remove end cap (B). To remove each brush, (C) first unplug the shunt wire terminal connection. Then carefully back the brush spring (D) out of the brush box and remove brush. Brushes should slide freely in brush box. If brushes are worn down to .3" (8mm) (see Figure 17) they should be replaced. To reinstall each brush carefully back the spring out of the brush box, insert the brush and return the spring making sure it is pressing on the brush and not touching the brush box. Reconnect shunt wire terminal, then replace the end cap and two screws.

Cleaning

Blowing dust and grit out of the main housing and chip deflector by means of an air hose is recommended and should be done as often as dirt is seen collecting in and around the air vents.

Accessories

Blades are available at extra cost from your local dealer or authorized service center. If you need assistance in locating this accessory for your tool, contact:
DeWALT Industrial Tool Co., 701 East Joppa Road, Baltimore, MD 21286

⚠ CAUTION: The use of any other accessory not recommended for use with this tool could be hazardous.

Important

To assure product SAFETY and RELIABILITY, repairs, maintenance and adjustment other than those discussed in this manual should be performed by authorized service centers or other qualified service organizations, always using identical replacement parts.

Lubrication

Closed-type, grease-sealed ball bearings are used throughout. These bearings have sufficient lubrication packed in them at the factory to last the life of the tool.

Gears should be relubricated every 60 to 90 days, depending upon use. This lubrication should only be attempted by experienced power tool repair persons like the mechanics at DeWALT service centers. The gear case should be wiped clean and 2 oz. (60 grams) of DeWALT Lubricant Part No. 790206 (6 oz. tube) placed in the gear case.

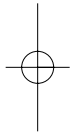
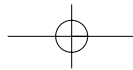
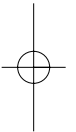
Full Warranty

DeWALT heavy duty industrial tools are warranted for one year from date of purchase. We will repair, without charge, any defects due to faulty materials or workmanship. For warranty repair information, call 1-800-4-DeWALT. This warranty does not apply to accessories or damage caused where repairs have been made or attempted by others. This warranty gives you specific legal rights and you may have other rights which vary in certain states or provinces.

In addition to the warranty, DeWALT tools are covered by our:

30 DAY NO RISK SATISFACTION GUARANTEE

If you are not completely satisfied with the performance of your



TROUBLE! TOOL WILL NOT START
WHAT'S WRONG?

1. Tool not plugged in.
2. Fuse blown or circuit breaker tripped.
3. Cord damaged.
4. Brushes worn out.

TROUBLE! TOOL MAKES UNSATISFACTORY CUTS
WHAT'S WRONG?

1. Dull blade.
2. Workpiece incorrectly placed or clamped.

TROUBLE! BLADE DOES NOT COME UP TO SPEED
WHAT'S WRONG?

1. Extension cord too light or too long.
2. Low voltage.
3. Low generator voltage.

TROUBLE! TOOL VIBRATES EXCESSIVELY DURING CUT
WHAT'S WRONG?

1. Tool not mounted securely to stand or work bench.
2. Damaged saw blade.
3. Workpiece not clamped properly.

TROUBLE! DOES NOT MAKE ACCURATE CUTS
WHAT'S WRONG?

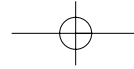
1. Fence not adjusted correctly.
2. Blade is not square to fence.
3. Excessive force used to make cut.
4. Work piece moving.

TROUBLE! CANNOT MOVE ARM
WHAT'S WRONG?

1. Auto-retracting blade guard will not move.
2. Lock down pin is engaged.

TROUBLE! MATERIAL MOVES DURING CUT
WHAT'S WRONG?

1. Fence slipping or workpiece incorrectly placed or clamped.
2. Vise too loose
3. Excessive cutting force.



Trouble Shooting Guide

WHAT TO DO...

1. Plug in saw.
2. Replace fuse or reset circuit breaker.
3. Have cord replaced by authorized service center.
4. Have brushes replaced by authorized service center.

WHAT TO DO...

1. Replace or sharpen blade. See *Good Care/Cutting Practices* pages 7 and 8.
2. Firmly clamp and support workpiece. See *Material Positioning and Clamping* page 7.

WHAT TO DO...

1. Replace with adequate size cord. See chart on page 2.
2. Contact your electric company.
3. Check generator output voltage. Reduce number of tools powered by the generator.

WHAT TO DO...

1. Tighten all mounting hardware. See page 8, *Procedures for Permanent Mounting*.
2. Replace blade.
3. Refer to *Material Positioning and Clamping* page 7, and *Good Care and Cutting Practices*, pages 7 and 8.

WHAT TO DO...

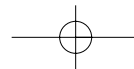
1. Check and adjust. See *Fence Operation* on page 5.
2. Check and adjust. See *Fence Angle Adjustment* on page 6.
3. Reduce cutting force, let the blade do the work.
4. Clamp workpiece securely. See *Material Positioning and Clamping* page 7. Make sure material is laying flat against the base.

WHAT TO DO...

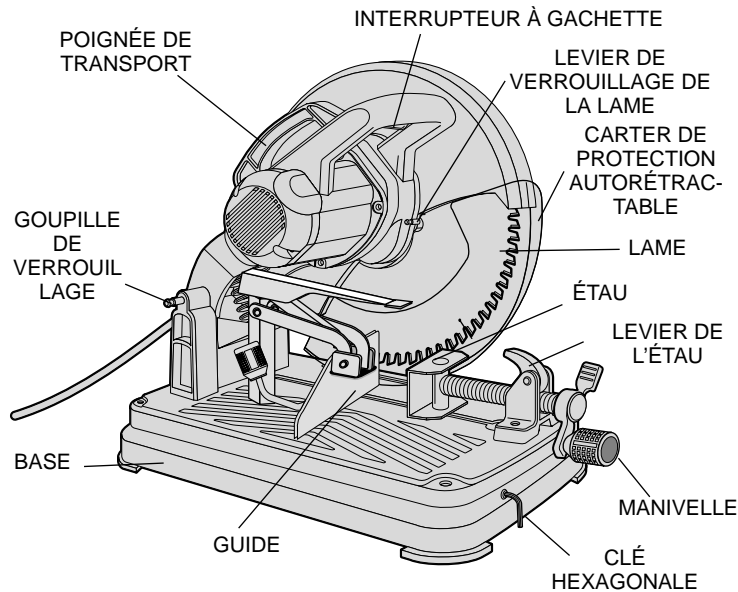
1. Check for damaged parts. Check for excessive chips in guard. Replace or repair as needed.
2. Push down slightly on the arm, pull lock down pin out. Raise arm. See page 3.

WHAT TO DO...

1. See *Material Positioning and Clamping*, page 7.
2. Tighten vise clamping. Use auxiliary vertical clamp. See *Auxiliary Vertical Clamp*, page 7.
3. Reduce cutting force.



POUR TOUT RENSEIGNEMENT SUPPLÉMENTAIRE SUR CET OUTIL OU
TOUT AUTRE OUTIL DEWALT, COMPOSER SANS FRAIS LE NUMÉRO :
1-800-4-DEWALT (1-800-433-9258)



⚠ AVERTISSEMENT : POUR LA SÉCURITÉ PERSONNELLE, LIRE LE MANUEL D'INSTRUCTIONS AVANT DE FAIRE FONCTIONNER L'OUTIL DE COUPE MULTIPLE.

Importantes consignes de sécurité

⚠ AVERTISSEMENT! Bien lire et comprendre toutes les consignes. Le non-respect, même partiel, des instructions ci-dessous entraînera un risque d'électrocution, d'incendie et/ou de blessures graves.

Fiches polarisées

Pour réduire les risques d'électrocution, cet équipement a une fiche polarisée (une lame plus large que l'autre). Cette fiche s'insère dans une prise polarisée, dans un sens seulement. Si elle ne s'insère pas bien dans la prise, il suffit de la retourner. Si elle persiste à ne pas entrer, appeler un électricien qualifié pour installer la prise qui convient. Ne pas essayer de modifier la fiche en aucune façon. Les appareils de 220 volts ont une prise de type différent qui ne peut pénétrer dans la même prise et qui n'est pas polarisée.

CONSERVER CES MESURES

- **GARDER LES CARTERS DE PROTECTION EN PLACE** et en bon état.
- **ENLEVER LE DISPOSITIF DE RÉGLAGE ET LA CLÉ.** Prendre l'habitude de vérifier si la clé et le dispositif de réglage sont enlevés de l'outil avant de faire fonctionner celui-ci.
- **GARDER LA ZONE DE TRAVAIL PROPRE.** Les espaces et les établis encombrés occasionnent des blessures.
- **NE PAS UTILISER DANS UN MILIEU DANGEREUX.** Ne pas utiliser d'outils électriques dans des lieux humides ou mouillés et ne pas les exposer à la pluie. L'espace de travail doit être bien éclairé.
- **ÉLOIGNER LES ENFANTS.** Tous les visiteurs doivent rester à une distance sécuritaire de la zone de travail.
- **S'ASSURER QUE L'ATELIER EST SÉCURITAIRE POUR LES ENFANTS** en posant des cadenas ou enlevant les clés de mise en marche.
- **NE PAS FORCER UN OUTIL.** L'outil fonctionne mieux et de façon plus sûre à la vitesse pour laquelle il a été conçu.

- **UTILISER L'OUTIL ADÉQUAT.** Ne pas forcer l'outil ou l'accessoire pour un travail auquel il n'est pas destiné.
- **UTILISER LA RALLONGE APPROPRIÉE.** S'assurer que la rallonge est en bon état et du calibre approprié pour le courant utilisé par le produit. Un cordon de rallonge trop petit produit une chute de tension, une perte de puissance et une surchauffe. Le tableau suivant indique le calibre correct à utiliser en fonction de la longueur de la rallonge et de l'intensité indiquée sur la plaque signalétique. En cas de doute, utiliser le calibre supérieur suivant. Plus le chiffre du calibre est petit, plus le fil est gros.

Calibre minimal des cordons de rallonge

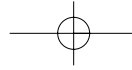
Longueur totale du cordon						
25 ft.	50 ft.	75 ft.	100 ft.	125 ft.	150 ft.	175 ft.
7.6 m	15.2 m	22.9 m	30.5 m	38.1 m	45.7 m	53.3 m
Intensité						
18 AWG	18 AWG	16 AWG	16 AWG	14 AWG	14 AWG	12 AWG

- **PORTER DES VÊTEMENTS APPROPRIÉS.** Ne pas porter de vêtements lâches, de gants, de cravates ou de bijoux qui risquent de se prendre dans les pièces mobiles. Il est recommandé de porter des chaussures antidérapantes et de couvrir les cheveux longs.
- **PORTER DES LUNETTES PROTECTRICES.** Utiliser aussi un masque antipoussière si les conditions de travail l'exigent. Les lunettes ordinaires ont seulement des verres qui résistent aux chocs; ce ne sont pas des lunettes de protection.
- **FIXER L'OUVRAGE.** Utiliser des serre-joint ou un étau pour fixer l'ouvrage. C'est plus sûr que d'utiliser les mains et libère ces dernières pour faire fonctionner l'outil.
- **NE PAS SE DÉSÉQUILIBRER,** bien placer les pieds et conserver son équilibre en tout temps.
- **ENTREtenir LES OUTILS AVEC SOIN.** Garder les outils bien aiguisés et propres pour un meilleur rendement et une plus grande sécurité. Suivre les instructions de lubrification et de changement des accessoires,

- **DÉBRANCHER LES OUTILS** avant de les réparer, de changer les accessoires comme les lames, les mèches, les forets, etc.
- **RÉDUIRE LE RISQUE DE DÉMARRAGE ACCIDENTEL.** Avant de brancher l'outil, s'assurer que l'interrupteur est à la position d'arrêt.
- **UTILISER LES ACCESSOIRES RECOMMANDÉS.** Consulter le manuel d'instructions pour les accessoires recommandés. L'usage de mauvais accessoires risque de causer des blessures.
- **NE JAMAIS SE TENIR DEBOUT SUR UN OUTIL.** De graves blessures peuvent se produire si l'outil bascule ou s'il est mis en marche accidentellement.
- **VÉRIFIER LES PIÈCES ENDOMMAGÉES.** Avant d'utiliser l'outil, il faut soigneusement vérifier tout carter de protection, ou autre pièce endommagée pour s'assurer qu'il fonctionne bien et remplit son rôle. Vérifier l'alignement et la liberté de mouvement des pièces mobiles, l'intégrité des pièces, le montage et toute autre condition qui peut altérer le fonctionnement. Si un carter de protection ou une autre pièce est endommagée, il faut le réparer ou le remplacer.
- **NE JAMAIS LAISSER UN OUTIL EN MARCHÉ SANS SURVEILLANCE. IL FAUT L'ÉTEINDRE.** Ne pas quitter l'outil avant qu'il ne soit complètement arrêté.
- **PIÈCES DE RECHANGE.** N'utiliser que des pièces de rechange identiques.
- **POUR RÉDUIRE LE RISQUE D'ÉLECTROCUTION,** cet équipement a une fiche polarisée (une lame plus large que l'autre). Cette fiche s'insère dans une prise polarisée, dans un sens seulement. Si elle ne s'insère pas bien dans la prise, appeler un électricien qualifié pour installer la prise qui convient. **NE PAS ESSAYER DE MODIFIER LA FICHE DE QUELQUE MANIÈRE QUE CE SOIT.**

Autres règles de sécurité

- **S'ASSURER QUE LE BOULON DE LA LAME EST BIEN SERRÉ AVANT DE COUPER.**
- Toujours porter des lunettes protectrices.
- Garder les mains hors de la trajectoire de la lame. Ne jamais couper une pièce si la main doit être à moins de 6 po (152 mm) de la lame.



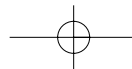
- Ne pas utiliser la scie sans carter de protection en place.
- Ne jamais exécuter de tâche à main levée.
- Ne jamais tendre la main à l'arrière de la lame de scie.
- Toujours arrêter l'outil et attendre que la lame soit immobilisée avant de déplacer la pièce ou de modifier les réglages.
- Débrancher l'outil avant de changer la lame ou d'effectuer l'entretien.
- La vitesse à vide de cet outil est de 1 300 tr/min.
- Toujours placer l'outil sur une surface plate et stable avant de l'utiliser.
- Ne pas utiliser de liquides de coupe avec cet outil, car ils risquent de s'enflammer ou de causer une électrocution.
- Faire attention aux copeaux de coupe et au matériel coupé. Ils peuvent être tranchants et chauds. Laisser les morceaux coupés refroidir avant de les toucher.
- Avant l'utilisation, inspecter la lame pour voir si elle est fissurée ou si elle présente des défauts. Si c'est le cas, la jeter. Toujours vérifier la lame quand on a des raisons de croire que celle-ci ou l'outil est tombé(e).
- Ne jamais mettre l'outil en marche quand il y a une personne dans l'axe de la lame. Ceci s'applique aussi à l'utilisateur.
- Pendant le fonctionnement, éviter de faire rebondir la lame ou de la manipuler brutalement. Si cela se produit, arrêter l'outil et vérifier.
- Nettoyer périodiquement l'outil de coupe multiple en suivant la procédure indiquée dans ce manuel.
- Ne pas enlever les carters de protection de la lame.
- **TOUJOURS UTILISER L'ÉTAU OU UN DISPOSITIF DE FIXATION APPROPRIÉ POUR BIEN TENIR LA PIÈCE DE TRAVAIL.** Les autres accessoires fournis (serre-joint, ressort, barre ou serre-joint en C) peuvent être utiles pour certaines dimensions et formes de pièce de travail. Faire bien attention dans le choix et la pose de ces serre-joint et faire un essai avant de couper. Le serre-joint auxiliaire doit être utilisé pour la coupe dans le sens de la rotation de la lame. Lire la section se rapportant au serre-joint auxiliaire.
- **NE JAMAIS COUPER DE MAGNÉSIUM AVEC CET OUTIL.**
- Utiliser l'outil dans une zone bien aérée.
- Éteindre l'outil avant d'enlever une pièce de la base.

- **NE PAS COUPER UN MATÉRIAU SOUS TENSION.**
- N'utiliser que les lames de coupe du métal au carbure de 14 po (355 mm) de DeWALT. Ne jamais utiliser de disques de coupe abrasifs ni d'autre type de lame de scie.
- Ne pas couper de béton, de pierre, de brique de carreaux ou de céramique.
- S'assurer que le verrouillage de la lame (Fig. 4) est dégagé avant de mettre l'interrupteur sur Marche.
- Garder les mains et le corps loin de la lame rotative.
- S'assurer que la lame ne touche pas la pièce de travail avant que l'on ait appuyé sur l'interrupteur de mise en marche.
- **NE PAS COUPER DE MATÉRIAU d'une épaisseur INFÉRIEURE au calibre 18 (0,0478 po, 1,2 mm).**
- **NE PAS FAIRE FONCTIONNER CET OUTIL DANS LE VOISINAGE DE LIQUIDES, DE GAZ OU DE POUSSIÈRES INFLAMMABLES.** Les étincelles ou des copeaux brûlants provenant de la coupe ou de l'amorçage d'arc des balais du moteur risquent d'enflammer les matériaux combustibles.

⚠ **AVERTISSEMENT** : Certains outils, tels que les sableuses électriques, les scies, les meules, les perceuses ou certains autres outils de construction, peuvent soulever de la poussière contenant des produits chimiques susceptibles d'entraîner le cancer, des malformations congénitales ou pouvant être nocifs pour le système reproductif. Parmi ces produits chimiques, on retrouve :

- le plomb dans les peintures à base de plomb;
- la silice cristalline dans les briques et le ciment et autres produits de maçonnerie;
- l'arsenic et le chrome dans le bois de sciage ayant subi un traitement chimique (CCA).

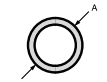
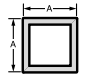
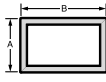
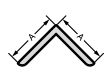
Le risque associé à de telles expositions peut varier selon la fréquence avec laquelle on effectue ces travaux. Pour réduire l'exposition à de tels produits, il faut travailler dans un endroit bien ventilé et utiliser l'équipement de sécurité approprié tel un masque anti-poussières spécialement conçu pour filtrer les particules microscopiques.



Alimentation électrique

S'assurer que l'alimentation concorde avec les indications sur la plaque signalétique, « 120 volts, 60 Hz » décrit un courant alternatif (courant domestique normal de 120 volts, 60 Hz).

Une baisse de tension de plus de 10 % provoquera une perte de puissance et une surchauffe.

				
90°	134,9 mm 5-3/16 po	120,6 mm 4-3/4 po	107,9 x 177,8 4-1/4 x 7 po	141,2 mm 5-9/16 po

Français

Capacité de coupe

L'ouverture de l'étau et le point de pivot élevé permettent de couper de grandes pièces. Utiliser le tableau de capacité de coupe pour déterminer la dimension de coupe maximale.

⚠ MISE EN GARDE : CERTAINS OBJETS DE GRANDE DIMENSION, DE FORME CIRCULAIRE OU IRRÉGULIÈRE, PEUVENT EXIGER UNE FIXATION SUPPLÉMENTAIRE S'ILS NE PEUVENT ÊTRE RETENUS DANS L'ÉTAU DE FAÇON SÉCURITAIRE.

CAPACITÉ DE COUPE MAXIMALE

NOTE : LA CAPACITÉ INDIQUÉE SUR LE TABLEAU SUPPOSE UNE POSITION OPTIMALE DU GUIDE.

Équipement standard

1 authentique lame de coupe pour le métal de 14 po (355 mm) DeWALT.

1 clé de lame dans la retenue de la base

1 fixation de l'étau

1 serre-joint auxiliaire

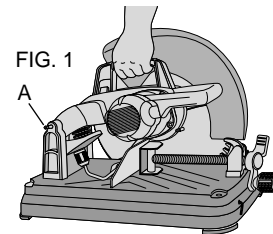


FIG. 1

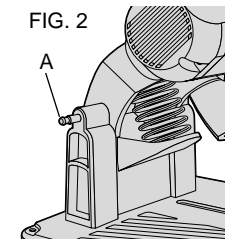


FIG. 2

Transport (Fig. 1)

Replier l'appareil à la position qui permet de transporter la scie. Enfoncer la goupille de verrouillage (A) pour verrouiller le bras.

Déverrouillage (Fig. 2)

Pour déverrouiller l'outil, appuyer légèrement sur la poignée de transport et tirer la goupille de verrouillage (A). Le bras du moteur pivote alors vers le haut.

Installation de la lame (Fig. 3 et 4)

- DÉBRANCHER L'APPAREIL DE LA PRISE ÉLECTRIQUE.
- Le bras du moteur étant en position relevée, faire tourner le carter inférieur (A) pour le mettre hors du chemin et le retenir d'une main (montré en pointillé pour illustrer les détails).
- Avec la même main, appuyer sur le levier de verrouillage de la lame (I) jusqu'à ce qu'il s'engage dans l'un des trous de la rondelle (H) du serre-joint interne. Avec la clé hexagonale, faire tourner le chapeau du boulon (B) pour le sortir et desserrer le boulon (C) dans le sens antihoraire. Ensuite, enlever le boulon (C), la rondelle (D), la rondelle plate (E) et la rondelle (F) du serre-joint externe.
- Installer la lame (G) en l'orientant tel qu'illustré sur le dispositif d'entraînement positif de la rondelle ((H) du serre-joint interne. Remonter la rondelle du serre-joint extérieur, la rondelle-frein et

FIG. 3

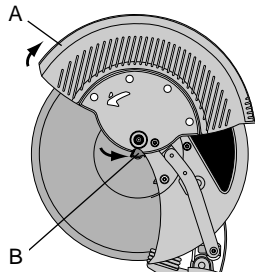
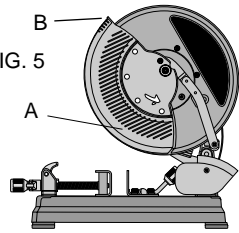


FIG. 5



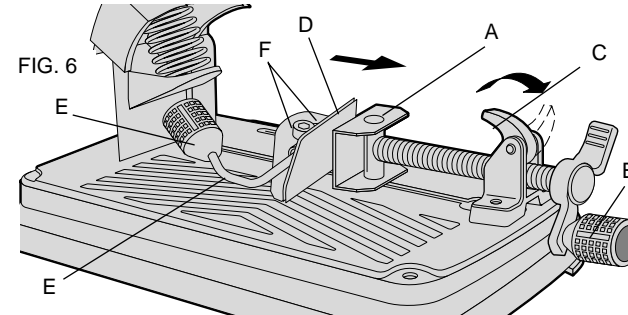
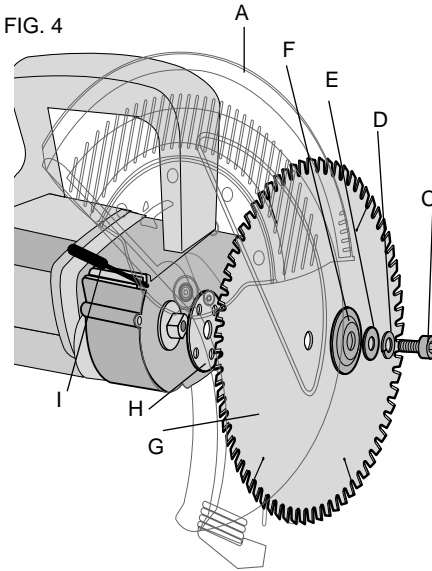
le boulon et serrer à la main.

5. Le verrouillage de la lame étant engagé, bien serrer le boulon avec la clé hexagonale.
6. Enlever la clé et relâcher le levier inférieur et le levier de verrouillage de la lame.
7. Suivre les mêmes étapes pour enlever la lame.

NE PAS FAIRE DE RÉGLAGE QUAND L'OUTIL EST BRANCHÉ.

⚠AVERTISSEMENT : VÉRIFIER VISUELLEMENT SI LA LAME EST FISSURÉE OU ENDOMMAGÉE, VÉRIFIER QUE LA LAME EST BIEN INSTALLÉE AVANT DE L'UTILISER. SI LA LAME EST ENDOMMAGÉE, LA FAIRE REMETTRE À NEUF PAR UN ATELIER D'ENTRETIEN DE LAMES DE SCIE QUALIFIÉ.

FIG. 4



⚠AVERTISSEMENT : S'ASSURER QUE LE BOULON DE LA LAME EST BIEN SERRÉ ET QUE LE CHAPEAU DU BOULON EST BIEN EN PLACE SUR LE BOULON AVANT DE COUPER.

Carter autorétractable (Fig. 5)

Cet outil comporte un carter à rétraction automatique. La lame est exposée quand elle approche du matériau et est recouverte à la position relevée.

- Quand on coupe de très grosses pièces, il peut être nécessaire d'aider la rétraction du carter de la main. Pour cela, faire tourner légèrement le carter (A) avec le rebord (B), il suffit de dégager la pièce de travail et de la libérer.
- Garder la main et les autres parties du corps loin de la lame rotative.
- Ne pas enlever le système de carter de protection de la lame.
- Garder le système de carter de protection en bon état de marche.

Fonctionnement de l'étau (Fig. 6)

L'étau (A) a un dispositif de déplacement rapide. Pour le desserrer, faire tourner la manivelle (B) dans le sens antihoraire une ou deux fois pour libérer la pression. Lever le levier de l'étau (C). Sortir la manivelle à la distance désirée. L'étau peut être installé sur la pièce

de travail sans manœuvre de la manivelle. Baisser le levier de l'étau et serrer ce dernier sur la pièce de travail avec la manivelle.

Fonctionnement du guide (Fig. 6)

Le fonctionnement du guide (D) ne demande aucune clé. Le dégagement rapide du levier de serre-joint (E) déverrouille et verrouille le guide. Quand on fait tourner le levier à fond vers l'avant, le guide est déverrouillé. Il peut être déplacé librement vers l'avant, vers l'arrière, ou être tourné pour obtenir la meilleure position de coupe.

En poussant le levier à fond vers l'arrière, on verrouille le guide à la position sélectionnée. Si la patte (G) du levier n'est pas horizontale (parallèle à la base), le guide n'est pas verrouillé. Le levier ne verrouille le guide que quand il y a une forte résistance qui le fait tourner vers l'arrière, qui déclenche le mouvement de la came. Si la résistance est faible, régler la force de serrage en serrant légèrement les deux boulons (F) retenant le guide à la base. Faire un essai en serrant la pièce de travail avec l'étau. Régler selon les besoins pour s'assurer que le guide ne se déplace pas et que la pièce de travail est bien serrée.

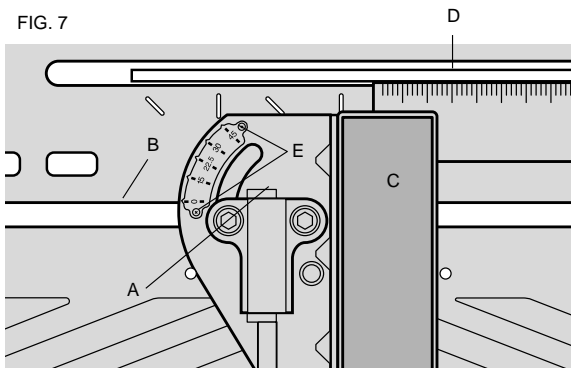


FIG. 8

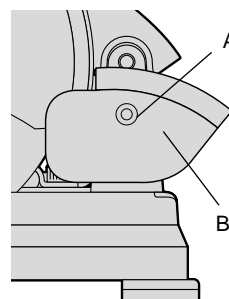
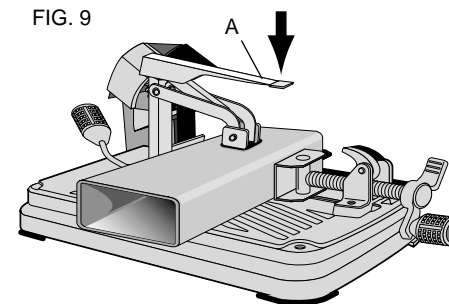


FIG. 9



Réglage de l'angle du guide (Fig. 7)

Pour faire des coupes angulaires, déverrouiller le guide et le faire tourner à l'angle désiré sur la plaque graduée (A) jusqu'à ce qu'elle soit alignée avec le bord de la fente (B) dans la base, reverrouiller ensuite le guide.

La plaque angulaire (A) est fixée au guide avec des vis (E) et pré-réglée en usine. S'il faut régler de nouveau la plaque angulaire pour plus de précision, suivre les étapes suivantes :

1. Débrancher l'appareil.
2. Déverrouiller le guide et verrouiller le bras en position basse de façon que la lame dépasse de la base.
3. Placer un carré (C) contre la lame (D), régler le guide contre le carré et verrouiller de nouveau le guide.
4. Déverrouiller et relever le bras.
5. Desserrer les deux vis (E) de la plaque angulaire. Aligner l'index 0° sur le bord de la fente (B) et resserrer les vis.

Réglage du déflecteur de copeaux (Fig. 8)

Pour éjecter les copeaux de la zone avoisinante ou dans un bac de récupération, desserrer la vis (A), régler l'angle du déflecteur de copeaux (B) et resserrer la vis.

Serre-joint auxiliaire (Fig. 9)

Le serre-joint auxiliaire (A) DOIT être utilisé quand on coupe des matériaux de grande dimension ou de forme irrégulière, quand on fait des coupes angulaires et que le guide est à la position arrière quand les courses montantes de la lame ont tendance à tirer la pièce de travail hors de l'étau.

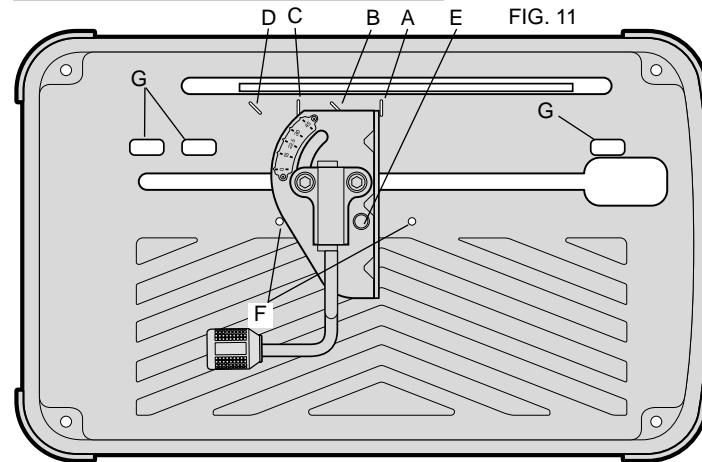
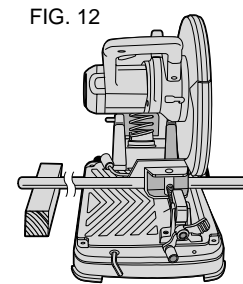
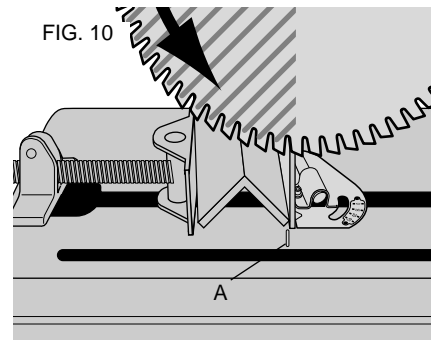
Pour utiliser le serre-joint, l'insérer dans l'un des trous (Fig. 11, G) de la base jusqu'à ce qu'il appuie contre la pièce de travail. Abaisser le levier comme le montre la Figure 9 pour verrouiller la pièce de travail en place. Relever le levier pour déclencher le serre-joint.

NOTE : Pour effectuer le serrage d'un matériau mince, il peut être nécessaire de placer une cale d'épaisseur adéquate sous le serre-joint.

⚠AVERTISSEMENT : Si on n'utilise pas le serre-joint auxiliaire pour couper dans le sens de rotation de la lame, l'outil peut subir des dommages graves et l'utilisateur peut se blesser.

Conseils pour la mise en place du matériau et le serrage (Fig. 10, 11, 12)

- ÉTEINDRE ET DÉBRANCHER L'OUTIL AVANT DE RÉGLER LA SCIE OU DE REPOSITIONNER LA PIÈCE DE TRAVAIL.
- En général, il faut placer la pièce de travail de façon que la coupe se fasse sur la course descendante de la lame (zone ombrée). La fente A indique la meilleure position du guide pour la coupe générale à 90°.
- Les fentes (A) et (B) indiquent les meilleures positions du guide pour la coupe générale à 90° et à 45°. Les fentes (C) et (D) indiquent la même chose pour les pièces plus grandes (Fig. 11).



- Une fois que le guide est aligné avec une fente, on peut visser le boulon (E) à la main dans un trou (F) correspondant à la base, au besoin, pour mieux fixer la position du guide (Fig. 11).
- Le guide peut aussi être utilisé à d'autres angles et positions, au besoin.
- Les pièces de travail longues doivent être soutenues au moyen d'un bloc de façon qu'elle soient horizontales avec la scie à table. La pièce coupée devrait pouvoir tomber vers le bas pour ne pas gêner la lame (Fig. 12).
- **IL FAUT TOUJOURS BIEN SERRER LA PIÈCE DE TRAVAIL, SANS EXCEPTION.**
- Toujours serrer la pièce de travail avec l'étau et le serre-joint auxiliaire.
- Le serre-joint auxiliaire ou les autres aides de serrage comme le ressort, la barre ou les serre-joints C s'ajoutent à l'étau pour fixer certaines dimensions ou formes de pièce de travail. Bien choisir et placer ces serre-joint et faire un essais à vide avant de couper.

Interrupteur (Fig. 13)

Pour mettre l'outil en marche, appuyer sur l'interrupteur à gâchette (A). Pour l'arrêter, relâcher la palette. Garder les mains et le matériau loin de la lame jusqu'à ce que celle-ci s'immobilise.

⚠ **ATTENTION** : S'assurer que la lame ne touche pas la pièce de travail quand l'outil est mis en marche.

PIÈCE DE TRAVAIL LORS DU DÉMARRAGE DE L'OUTIL

Liste de vérification pour le processus de coupe

1. Avant de mettre l'outil en marche, s'assurer que :
 - l'outil est bien monté sur une surface stable,
 - la lame est bien montée et que le boulon de la lame est bien serré,
 - le guide est bien placé et verrouillé,

FIG. 13

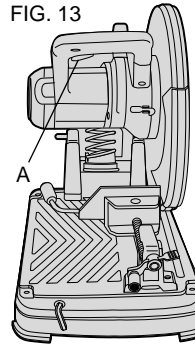


FIG. 14

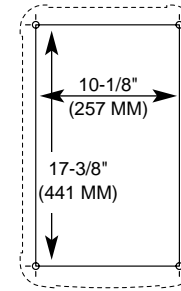
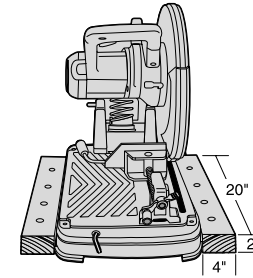


FIG. 15



- la pièce de travail est fermement maintenue en place dans l'étau,
 - le déflecteur de copeaux est bien réglé,
2. Mettre le moteur en marche et laisser la lame atteindre sa pleine vitesse.
 3. Baisser lentement la poignée pour établir un contact initial avec la pièce de travail. Une fois le contact établi, augmenter le rythme d'alimentation, laisser la lame faire le travail. Ne ralentir que juste avant la fin de la coupe.
 4. Une fois la coupe terminée, éteindre l'outil et garder les mains éloignées jusqu'à ce que la lame s'immobilise.

⚠ **MISE EN GARDE** : Lorsqu'on coupe de petites pièces (moins d'un pouce), les résidus peuvent être projetés vers l'arrière.

Bons usages de coupe

Les dents de la lame sont en carbure, matériau très dur et très friable. La vibration augmente les charges latérales qui pourraient ébrécher les dents ou fissurer la lame. Voici quelques conseils importants qui permettront de prolonger la vie de la lame et de l'outil

- Positionner la pièce de travail le plus possible sous la course

descendante de la lame (Figure 10). Le matériau doit être fermement serré et soutenu en place pour réduire la vibration, **SANS EXCEPTION,**

- Ne jamais faire de coupes sur de petites pièces de travail regroupées ensemble.
 - Positionner la pièce de travail de façon que la lame coupe la section la plus petite.
 - Éviter autant que possible de couper de grandes surfaces plates horizontales. Moins il y a de dents qui touchent la pièce de travail durant la coupe, moins il y aura de chaleur et plus la lame durera.
2. Les indices suivants indiquent que la lame est usée et qu'elle doit être raffûtée ou remplacée :
- Mauvaise coupe.
 - Il y a plus d'étincelles que de copeaux durant la coupe.
 - Le bruit de sonnerie de la lame augmente.

Procédure pour le montage permanent (Fig. 14)

(Recommandation pour les coupes multiples au même endroit)

1. Percer quatre trous de 5/16 po dans la surface de travail (Figure 14).

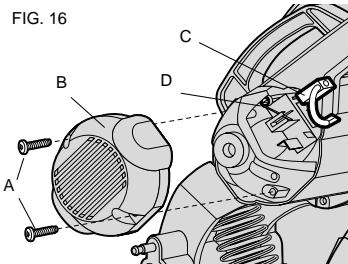
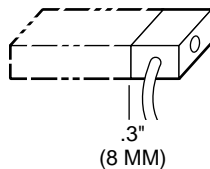


FIG. 17



2. Insérer des vis 1/4-20 dans les trous de la base et de la surface de montage. La longueur approximative des vis doit être égale à l'épaisseur de la surface de montage, plus quatre pouces.

Montage du support

1. Couper deux planches de 20 po de longueur x 2 po de hauteur x 4 po de largeur.
2. Placer l'outil à l'endroit de travail désiré.
3. Placer les planches bien contre le côté et les fixer à la surface de travail (Figure 15).

Maintenance

INSPECTION ET REMPLACEMENT DES BALAIS DU MOTEUR (FIG. 16)

S'ASSURER QUE L'OUTIL EST DÉBRANCHÉ AVANT D'INSPECTER LES BALAIS. Il faut vérifier l'usure de ces derniers régulièrement. Pour l'inspection des balais, dévisser les deux vis à chapeau d'extrémité (A) et le capuchon d'extrémité (B). Pour déposer chaque balai (C), débrancher d'abord la connexion de la borne du fil de dérivation. Ensuite, sortir soigneusement le ressort de balai (D) de son logement et enlever le balai. Les balais doivent glisser librement dans leur logement. S'ils sont usés à 0,3 po (8 mm) (voir Figure 17), il faut les remplacer. Pour réinstaller chaque balai, sortir soigneusement le ressort de son logement, insérer le balai et remettre le ressort en s'assurant qu'il appuie sur le balai et qu'il ne touche pas le logement. Rebrancher la borne du fil de dérivation et remettre le capuchon et les deux vis.

Nettoyage

Il est recommandé d'enlever la poussière et la grenaille du logement principal et du déflecteur de copeaux avec un jet d'air comprimé chaque fois qu'on en constate la présence autour des prises d'air.

Accessoires

Les accessoires recommandés pour l'outil sont vendus séparément

chez les détaillants et dans les centres après-vente autorisés.

Les lames à entraînement positif sont disponibles pour un coût supplémentaire chez votre concessionnaire local ou au centre après-vente autorisé. Pour tout renseignement pour trouver un accessoire, communiquer avec :

DEWALT Industrial Tool Co., 701 East Joppa Road, Baltimore, MD 21286

⚠ MISE EN GARDE : Il peut être dangereux d'utiliser tout accessoire autre que ceux qui sont recommandés pour l'outil.

Important

Pour assurer la SÉCURITÉ D'EMPLOI et la FIABILITÉ de l'outil, n'en confier la réparation, l'entretien et le réglage (y compris l'inspection des balais) qu'à un centre après-vente ou à un atelier d'entretien autorisé n'utilisant que des pièces de rechange identiques.

Lubrification

Des roulements à billes fermés à graissage scellé sont utilisés pour l'ensemble de l'outil. Ils sont remplis de suffisamment de graisse en usine pour durer toute la vie de l'outil.

Les engrenages doivent être relubrifiés tous les 60 à 90 jours, selon l'usage. Cette lubrification ne doit être faite que par un réparateur d'outils électriques expérimenté, comme ceux des centres après-vente DEWALT. Le boîtier d'engrenages doit être essuyé et rempli de 1/2 oz, (16 grammes) de lubrifiant DEWALT numéro de pièce 790206 (tube de 6 oz).

Garantie complète

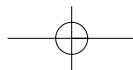
Les outils industriels de service intensif DEWALT sont garantis pendant un an à partir de la date d'achat. Tout défaut de matériel ou de main-d'œuvre sera réparé gratuitement par DEWALT. Pour obtenir plus de renseignements sur les réparations couvertes par la garantie, composer le 1 800 433-9258. La garantie ne couvre pas les accessoires ni les réparations tentées ou effectuées par des tiers. Les modalités de la présente garantie donnent des droits légaux

spécifiques. L'utilisateur peut également se prévaloir d'autres droits selon l'état ou la province qu'il habite.

En plus de la garantie DEWALT, les outils DEWALT sont couverts par votre :

GARANTIE DE SATISFACTION DE 30 JOURS

Si, pour quelque raison que ce soit, l'outil industriel de service intensif DEWALT ne donne pas entière satisfaction, il suffit, pour obtenir un remboursement complet, de le retourner chez le marchand participant dans les 30 jours suivant la date d'achat. Il faut retourner, port payé, l'outil complet. Une preuve d'achat peut être requise.



Guide de dépannage

PANNE! *L'outil NE SE MET PAS EN MARCHÉ*

QU'EST-CE QUI NE VA PAS?

1. L'outil n'est pas branché.
2. Un fusible est brûlé ou le disjoncteur est déclenché.
3. Cordon endommagé.
4. Balais usés.

PANNE! *L'outil coupe mal*

QU'EST-CE QUI NE VA PAS?

1. Lame émoussée.
2. La pièce de travail est mal placée ou mal serrée.

PANNE! *La lame n'atteint pas sa vitesse.*

QU'EST-CE QUI NE VA PAS?

1. La rallonge est trop petite ou trop longue.
2. Faible tension.
3. Faible tension du générateur.

PANNE! *L'outil vibre trop DURANT LA COUPE.*

QU'EST-CE QUI NE VA PAS?

1. L'outil n'est pas bien monté sur le support ou l'établi.
2. Lame de scie endommagée.

PANNE! *Les coupes ne sont pas précises*

QU'EST-CE QUI NE VA PAS?

1. Le guide n'est pas bien réglé.
2. La lame n'est pas d'équerre avec le guide.
3. Effort excessif lors de la coupe.
4. La pièce de travail bouge.

PANNE! *Le bras ne bouge pas*

QU'EST-CE QUI NE VA PAS?

1. Le carter autorétractable de la lame ne bouge pas.
copeaux dans le carter.
2. La goupille de verrouillage est engagée.
verrouillage. Relever le bras.

PANNE! *Le matériau se déplace durant la coupe*

QU'EST-CE QUI NE VA PAS?

1. Le guide glisse ou la pièce de travail est mal placée ou serrée.
2. L'étau est trop serré.
3. Effort de coupe excessif.

QUE FAUT-IL FAIRE ...

1. Brancher la scie.
2. Remplacer le fusible ou renclencher le disjoncteur.
3. Faire remplacer les interrupteurs défectueux par un centre après-vente autorisé.
4. Faire remplacer les interrupteurs défectueux par un centre après-vente autorisé.

QUE FAUT-IL FAIRE...

1. Remplacer ou affûter la lame. Voir Usages de coupe et d'entretien, pages 18.
2. Bien serrer et soutenir la pièce de travail. Voir Mise en place et serrage du matériau, page 17.

QUE FAUT-IL FAIRE ...

1. La remplacer par une rallonge de la bonne dimension. Voir tableau, page 12.
2. Communiquer avec la compagnie d'électricité.
3. Vérifier la tension de sortie du générateur. Réduire le nombre d'outils alimentés par le générateur.

QUE FAUT-IL FAIRE ...

1. Serrer toute la quincaillerie de montage. Voir page 18, Procédures pour le montage permanent.
2. Remplacer la lame. Consulter Mise en place et serrage du matériau, page 17, et Usages de coupe et d'entretien, pages 18.

QUE FAUT-IL FAIRE ...

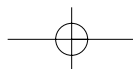
1. Vérifier et régler. Voir Fonctionnement du guide, page 15.
2. Vérifier et régler. Voir Réglage de l'angle du guide, page 16.
3. Réduire l'effort de coupe, laisser la lame faire le travail.
4. Bien serrer la pièce de travail. Voir Mise en place et serrage du matériau, page 17. S'assurer que le matériel repose bien à plat sur la base

QUE FAUT-IL FAIRE ...

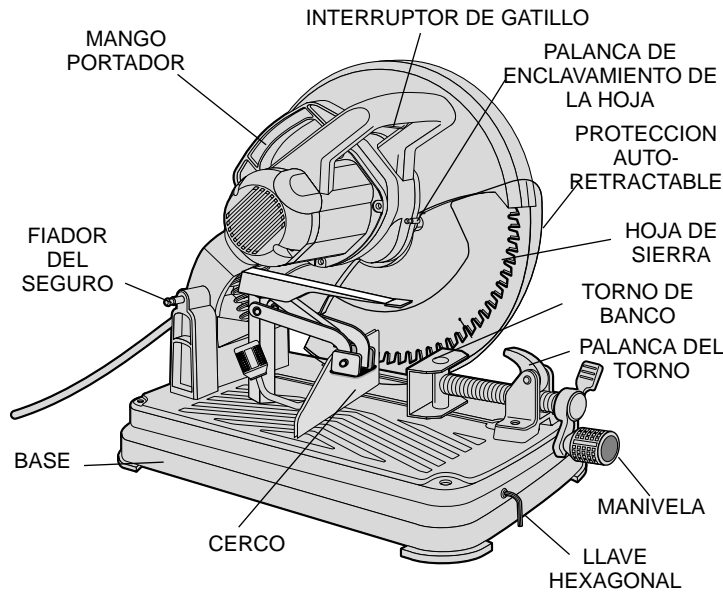
1. Vérifier s'il y a des pièces endommagées. Vérifier s'il y a trop de
Remplacer ou réparer, au besoin.
2. Appuyer doucement sur le bras pour le baisser, sortir la goupille de
Voir page 14.

QUE FAUT-IL FAIRE

1. Voir Mise en place et serrage du matériau, page 17.
2. Serrer l'étau., Serre-joint vertical auxiliaire
3. Réduire l'effort de coupe



PARA CUALQUIER PREGUNTA O COMENTARIO SOBRE LAS HERRAMIENTAS DeWALT, LLÁMENOS A LA LÍNEA GRATUITA: 1-800-4-DeWALT (1-800-433-9258)



Epecificaciones

Tensión de alimentación:	120 V CA~
Potencia nominal:	1650 W
Frecuencia de operación:	50/60 Hz
Consumo de corriente:	15 A

⚠ ADVERTENCIA: PARA SU PROPIA SEGURIDAD, LEA EL MANUAL DE INSTRUCCIONES ANTES DE OPERAR LA MULTISIERRA.

Importantes Instrucciones de Seguridad

⚠ ¡ADVERTENCIA! Lea todas las instrucciones y asegúrese de que las comprende bien. Si no sigue las indicaciones a continuación, se expone a choques eléctricos, incendios o aún a graves lesiones personales.

Enchufes polarizados

Para reducir el riesgo de choques eléctricos, este equipo viene dotado de un enchufe polarizado (en que una clavija es más ancha que la otra). Este enchufe puede entrar en un tomacorrientes polarizado solamente de la forma correcta. Si no entra bien en el tomacorrientes, déle vuelta al enchufe. Si todavía no encaja bien, contacte un electricista calificado para instalar el tomacorrientes adecuado. No cambie el enchufe de ninguna forma. Las unidades calibradas para 220 voltios tendrán un enchufe de estilo diferente que no cabe en el tomacorrientes y no está polarizado.

GUARDE ESTAS INSTRUCCIONES

- **MANTENGA LAS PROTECCIONES EN SU LUGAR** y en buenas condiciones de funcionamiento.
- **RETIRE LAS LLAVES DE MANIOBRA.** Forme el hábito de confirmar que se han retirado todas las llaves de maniobra de la herramienta antes de encenderla..
- **MANTENGA LIMPIA EL ÁREA DE TRABAJO.** Un área o un banco de trabajo en desorden invita accidentes.
- **NO UTILICE LA HERRAMIENTA EN UN ENTORNO PELIGROSO.** Nunca use herramientas mecánicas en lugares húmedos o mojados, ni las exponga a la lluvia. Mantenga el área de trabajo bien iluminada.
- **¡NO DEJE QUE SE ACERQUEN LOS NIÑOS!** Todas las personas deben mantenerse a una distancia prudente, apartada del área de trabajo.
- **HAGA EL TALLER A PRUEBA DE NIÑOS** con candados, interruptores maestros,, o quitando los botones de arranque.
- **NO FUERCE LA HERRAMIENTA.** La herramienta funcionará mejor

y con mayor seguridad cuando se usa para la función para la que fue diseñada.

- **UTILICE LA HERRAMIENTA ADECUADA.** No fuerce una herramienta o un accesorio a hacer un trabajo para el que no fueron diseñados.
- **UTILICE EL CORDÓN DE EXTENSIÓN APROPIADO.** Verifique que el cordón de extensión está en buenas condiciones. Cuando usa un cordón de extensión, confirme que es del calibre adecuado para transmitir la energía que consumirá la herramienta. Un cordón de menor capacidad de potencia causará una caída en la línea de tensión resultando en una pérdida de potencia y sobrecalentamiento. La tabla a continuación indica el tamaño correcto que se debe usar, dependiendo de la longitud del cable y la calibración de amperios según la placa. Si hay dudas sobre el tamaño adecuado, es recomendable usar el tamaño más potente. Entre más pequeño sea el número de calibración, más potencia tendrá el cordón.

Calibre mínimo requerido (AWG) para cables de extensión

Longitud total del cable de extensión

25 ft.	50 ft.	75 ft.	100 ft.	125 ft.	150 ft.	175 ft.
7.6 m	15.2 m	22.9 m	30.5 m	38.1 m	45.7 m	53.3 m

Calibre promedio del alambre

18 AWG 18 AWG 16 AWG 16 AWG 14 AWG 14 AWG 12 AWG

- **VISTA ROPA DE TRABAJO APROPIADA.** No use ropa holgada, corbatas, anillos, pulseras u otra joyería que puede quedar atrapada en las partes móviles de la herramientas. Se recomienda usar calzado antideslizante. Recoja el cabello largo y protéjalo debidamente.
- **SIEMPRE USE ANTEOJOS DE SEGURIDAD.** También se recomienda usar una mascarilla contra el polvo, si anticipa que el trabajo va a generar mucho polvo. Los lentes de los anteojos de uso diario son resistentes a impactos solamente, pero no son lentes de seguridad.

- **SUJETE BIEN LA PIEZA DE TRABAJO.** Sujete la pieza de trabajo con abrazaderas o en las mordazas de un torno de banco cuando sea práctico hacerlo. Es más seguro que sujetarla con la mano y le permite usar ambas manos para manejar la herramienta. .
- **NO SE EXTIENDA DEMASIADO.** Párese firmemente en el suelo, manteniendo un buen equilibrio en todo momento.
- **CUIDE SUS HERRAMIENTAS.** Mantenga sus herramientas afiladas y limpias para que presten mejor servicio con mayor seguridad. Siga las instrucciones para lubricarlas y cambiar accesorios.
- **DESCONECTE LAS HERRAMIENTAS** antes de proceder a darles mantenimiento, cuando esté cambiando accesorios, tales como hojas, brocas, cortadoras y otros .
- **REDUZCA EL RIESGO DE ENCENDER LA HERRAMIENTA ACCIDENTALMENTE.** Siempre confirme que el interruptor está en posición de apagado antes de enchufar la herramienta.
- **USE LOS ACCESORIOS RECOMENDADOS.** Consulte el manual de instrucciones para comprobar cuáles son los accesorios recomendados. Si se usan accesorios inadecuados, se arriesga a que ocurran lesiones personales .
- **NUNCA SE PARE EN UNA HERRAMIENTA.** Pueden ocurrir lesiones graves si la herramienta se desequilibra o si accidentalmente hace contacto con la herramienta de corte.
- **EXAMINE LAS PIEZAS AVERIADAS.** Antes de seguir usando la herramienta, hay que revisar cuidadosamente todas las r protecciones y otras piezas que parezcan estar averiadas, para determinar si van a funcionar bien y realizar la función para la que fueron diseñadas. Revise la alineación y las conexiones entre las partes móviles , vea si hay partes rotas, examine el montaje y toda otra condición que pueda afectar su funcionamiento. Si hay protecciones o partes averiadas, deben ser reparadas o reemplazadas inmediatamente.
- **NUNCA DEJE DESATENDIDA A UNA HERRAMIENTA CUANDO ESTÁ FUNCIONANDO. APAGUE EL INTERRUPTOR.** Nunca deje una herramienta desatendida mientras esté funcionando. Espere hasta que llegue a pararse completamente.

- **REPUESTOS.** Utilice solamente piezas de repuesto idénticas..
- **PARA REDUCIR EL RIESGO DE CHOQUES ELÉCTRICOS,** este equipo tiene un enchufe polarizado (donde una clavija es más ancha que la otra). Este enchufe entra en un tomacorrientes polarizado solamente en una posición. Si el enchufe no entra en el receptáculo, contacte un electricista calificado para que le instale el tomacorrientes adecuado. **NO CAMBIE EL ENCHUFE DE NINGUNA MANERA.**

Normas de seguridad específicas adicionales

- **ASEGÚRESE DE QUE EL PERNO DE LA HOJA ESTÉ APRETADO FIRMEMENTE ANTES DE CORTAR**
- Utilice gafas de protección
- Mantenga las manos fuera de la trayectoria del disco. Cuando vaya a cortar, nunca ponga las manos a 15 cm (6 pulg) delante de la sierra.
- No opere la sierra sin las guardas en su sitio.
- No opere la herramienta a manos libres.
- Nunca se coloque por detrás del disco de sierra.
- Apague la herramienta y espere a que el disco se detenga antes de cambiar de posición la pieza de trabajo o hacer ajustes.
- Desconecte la alimentación antes de cambiar el disco o darle mantenimiento a la herramienta.
- La velocidad de rotación sin carga de trabajo de esta herramienta es de 1.300 rpm.
- Siempre coloque la herramienta en una superficie plana y estable antes de usarla.
- No use líquidos de corte con esta herramienta eléctrica. Los líquidos podrían encenderse o causar electrocución.
- Esté alerta de las astillas que produce el material que se está cortando. Pueden ser filosas y estar calientes. Antes de tocarlas, espere a que se enfríen.
- Antes de usar la herramienta, revise la hoja para confirmar que no está rajada y que no tiene defectos. Si encuentra alguna rajadura o defecto, descarte esa hoja. Es necesario examinar la hoja siempre que se sospeche que se ha dejado caer la herramienta o la hoja misma..

- Nunca haga funcionar la herramienta cuando hay una persona en línea directa con la hoja, incluyendo el operador.
- Mientras está trabajando, evite cualquier acción que haga rebotar la hoja o que implique un trato indebido.

Si esto ocurre, apague la herramienta y examine la hoja.

- Limpie su multisierra con regularidad, siguiendo las indicaciones de este manual..
- No quite las protecciones de la hoja.
- Siempre use una mordaza, abrazaderas o algún otro dispositivo especial para sujetar su trabajo firmemente. Otros accesorios tales como la abrazadera auxiliar que viene con el equipo, la barra de resorte, o tornillos de mano, pueden ser apropiadas para ciertos tamaños y formas de trabajos. Siempre tenga cuidado en seleccionar y colocar estas abrazaderas y trate de hacer una prueba en seco, antes de tratar de hacer un corte. Las abrazaderas auxiliares verticales deben ser utilizadas para realizar cortes hacia arriba. Vea la sección Abrazadera vertical auxiliar del presente manual.
- **NUNCA CORTE MAGNESIO CON ESTA HERRAMIENTA.**
- Use la herramienta en un área bien ventilada..
- Apague la herramienta antes de quitarle cualquier pieza de la base.
- **NUNCA CORTE MATERIAL ACTIVADO CON CORRIENTE ELÉCTRICA.**
- Use solamente hojas de sierra metálicas genuinas DeWALT 14" (355mm), con punta de carburo. Nunca use discos abrasivos de corte, ni ningún otro tipo de hojas de sierra.
- No corte hormigón, piedras, ladrillos, mosaicos o cerámica.
- Confirme que no está puesto el seguro de la hoja (Fig. 4) antes de encender el interruptor.
- Mantenga las manos y el cuerpo fuera del alcance de la hoja rotatoria.
- Asegúrese que la hoja no está en contacto con la pieza de trabajo antes de encender el interruptor.
- **NO CORTE material con un espesor MENOR de calibre 18 (.0478", 1.2 mm).**
- **NO TRABAJE CON ESTA HERRAMIENTA CERCA DE LÍQUIDOS,**

GASES, O POLVO INFLAMABLE. Las chispas o las astillas calientes producidas por el corte o los arcos y chispas producidas por las escobillas del motor pueden encender los materiales inflamables.

⚠ ADVERTENCIA : Parte del polvo creado al lijar, aserruchar, moler o perforar con máquina, así como al realizar otras actividades de la construcción, contiene sustancias químicas que se sabe producen cáncer, defectos congénitos u otras afecciones reproductivas. Algunos ejemplos de esas sustancias químicas son:

- plomo de pinturas a base de plomo,
- sílice cristalizado de ladrillos y cemento y otros productos de albañilería, y
- arsénico y cromo de la madera químicamente tratada (CCA).

El riesgo al contacto con estas sustancias varía, según la frecuencia en que se haga este tipo de trabajo. Para reducir la exposición a esas sustancias químicas: trabaje en un área bien ventilada, y trabaje con equipos de seguridad aprobados, tales como máscaras contra el polvo especialmente diseñadas para filtrar las partículas microscópicas.

Fuente de energía

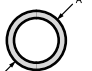
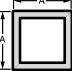

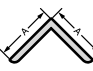
Asegúrese de que el suministro de energía concuerda con las indicaciones de la placa, 120 voltios, 60 Hz, significa corriente alterna (normal 120 voltios, 60 Hz, corriente doméstica).

Una caída de tensión de más de un 10% causará pérdida de potencia y sobrecalentamiento.

Capacidad de corte

Gracias a la amplia abertura del torno y su alto punto de rotación, la herramienta tiene una gran capacidad para cortar muchas piezas grandes. Consulte la tabla que indica la capacidad de corte para determinar el tamaño máximo de cortes que se pueden hacer.

⚠ PRECAUCIÓN: EN EL CASO DE CIERTOS OBJETOS GRANDES, CIRCULARES O DE FORMA IRREGULAR A VECES ES NECESARIO UTILIZAR OTROS MEDIOS DE SUJECIÓN SI NO PUEDEN SUJETARSE FIRMEMENTE EN EL TORNO DE BANCO.

Forma de la pieza Angulo de corte				
90°	134,9 mm 5-3/16"	120,6 mm 4-3/4"	107,9 x 177,8 4-1/4 x 7"	141,2 mm 5-9/16"

Capacidad máxima de corte

NOTA: LA CAPACIDAD MOSTRADA EN LA TABLA SUPONE QUE EL CERCO ESTÁ EN POSICIÓN ÓPTIMA.

Equipos estándar

- 1 Hoja de sierra metálica genuina DEWALT de 14" (355mm).
- 1 Llave para la hoja, alojada en la base
- 1 Accesorio de torno
- 1 Abrazadera auxiliar

FIG. 1

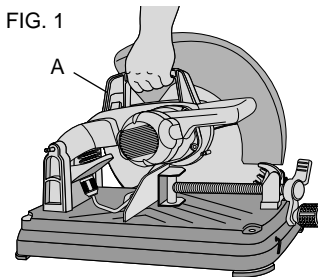


FIG. 2

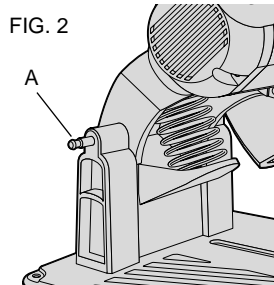


FIG. 3

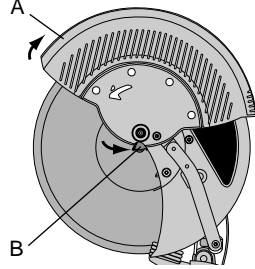
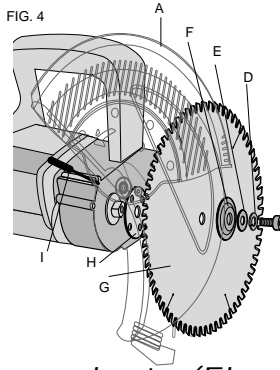


FIG. 4



Para transportar la herramienta (Fig. 1)

Cierre la unidad a que quede en una posición adecuada para llevar o traer la sierra. Empuje el fiador del seguro (A) para enclavar el brazo.

Para quitarle el seguro (Fig. 2)

Para quitarle el seguro a la herramienta, oprima el mango portador levemente y saque el fiador del seguro (A). El brazo del motor se levantará.

Instalación de la hoja (Fig. 3 y 4)

1. Desconecte la unidad de la fuente de energía.
2. Con el brazo del motor en posición vertical, gire la protección inferior (A) fuera del paso y sosténgala con una mano (Mostrada con la línea en puntitos para ilustrar el resto del detalle)
3. Con la misma mano, oprima la palanca de enclavamiento de la hoja (I) hasta que encaje en uno de los agujeros en la arandela interior de la abrazadera (H). Con la llave hexagonal dele vuelta a la tapa del perno (B) sáquela, y afloje el perno (C) dándole

vueltas en sentido contrario a las agujas de un reloj. Luego saque el perno (C), la arandela de seguridad (D), la arandela plana (E) y la arandela de la abrazadera exterior (F).

4. Instale la hoja (G) en la orientación mostrada, en la propiedad de accionamiento positivo de la arandela de la abrazadera interior. (H). Vuelva a armar la arandela de la abrazadera exterior, la arandela plana, la arandela de seguridad y el perno, apretándolos bien manualmente.
5. Con el seguro de la hoja en su lugar, apriete el perno firmemente con la llave hexagonal.
6. Retire la llave hexagonal, luego suelte la protección inferior y la palanca del seguro de la hoja.
7. Para sacar la hoja, siga los mismos pasos.

NO HAGA NINGÚN AJUSTE MIENTRAS LA HERRAMIENTA ESTÁ CONECTADA A LA FUENTE DE ENERGÍA.

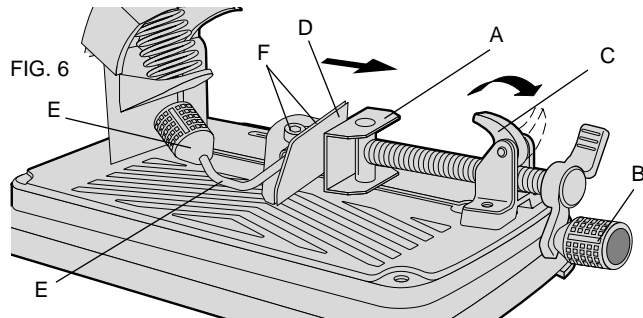
⚠ADVERTENCIA: EXAMINE LA HOJA VISUALMENTE PARA VER SI TIENE RAJADURAS U OTROS DAÑOS. VERIFIQUE QUE SE HA INSTALADO CORRECTAMENTE ANTES DE USARLA. SI LA HOJA ESTÁ DAÑADA DE ALGUNA FORMA, LLÉVELA A UN TALLER DE SERVICIO CALIFICADO PARA HOJAS DE SIERRAS PARA QUE LA VUELVAN A REACONDICIONAR.

⚠ADVERTENCIA: ASEGÚRESE DE QUE EL PERNO DE LA HOJA ESTÁ BIEN APRETADO Y QUE LA TAPA DEL PERNO CUBRE LA CABEZA DEL PERNO, ANTES DE EMPEZAR A CORTAR.

Protección auto-retractable (Fig. 5)

Esta herramienta tiene un sistema de protección inferior con retracción automática. Cuando la hoja se aproxima al material que va a cortar, está expuesta, y cuando está en posición vertical, está cubierta.

- Cuando se están cortando piezas muy grandes, muchas veces es necesario ayudar manualmente a la protección para que se



retracte. Para hacerlo, gire la protección (A) un poco por el borde (B), justo lo suficiente para que pase la pieza de trabajo y suéltela.

- Siempre mantenga las manos y otras partes del cuerpo fuera del alcance de la hoja en funcionamiento.
- No quite el sistema de protección de la hoja.
- Mantenga el sistema en buenas condiciones de funcionamiento.

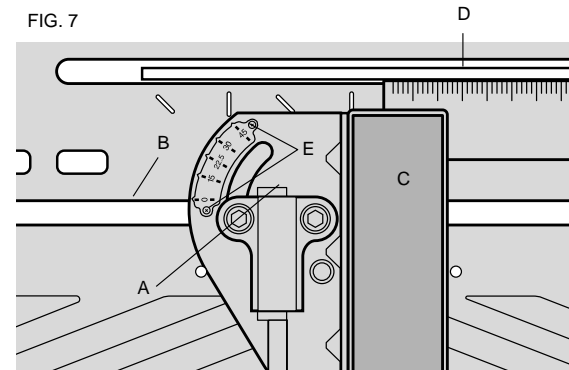
Operación del torno de banco (Fig. 6)

El torno (A) tiene una propiedad de recorrido rápido. Para liberar el torno banco cuando está afianzado firmemente, dele vuelta a la manivela (B) en dirección opuesta a las agujas del reloj una o dos veces para aliviar la presión de sujeción. Levante la palanca del torno (A). Saque el conjunto de la manivela hasta el punto que desee. El torno se puede empujar a que trabaje sin necesidad de la manivela. En ese caso, la palanca inferior del torno se usa para sujetar el trabajo utilizando la manivela.

Operación del Cerco (Fig. 6)

La operación del cerco (D) no necesita llaves. Se usa la palanca de la abrazadera de soltado rápido (E) para cerrar y abrir el cerco. Cuando se gira la palanca totalmente hacia enfrente, se quita el

FIG. 7

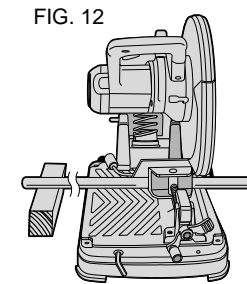
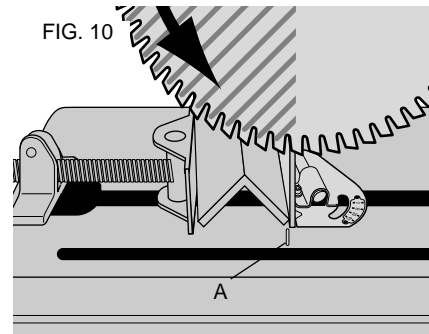
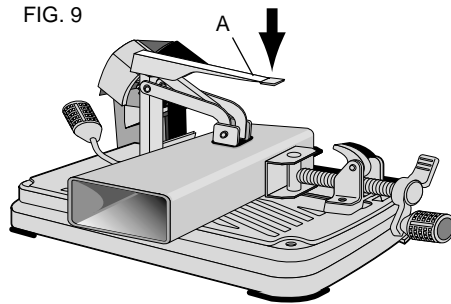
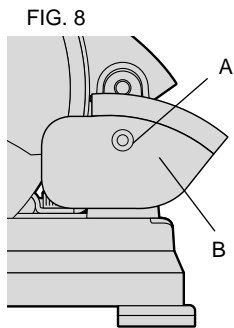


seguro del cerco. El cerco entonces se puede mover hacia adelante o hacia atrás, o se puede girar para permitir colocar el material en la mejor posición de corte..

Al empujar la palanca totalmente hacia atrás, el cerco queda encajado en la posición deseada. Si la pata (G) de la palanca no está en posición horizontal (paralela a la base), el cerco no ha encajado seguramente. El cerco queda asegurado en su lugar solamente cuando hay una resistencia fuerte de darle vueltas hacia atrás, lo que inicia la acción de la leva. Si la resistencia no es mucha, ajuste la fuerza de sujeción apretando levemente los dos pernos (F) que afianzan el cerco a la base. Pruébalo afianzando la pieza de trabajo con el torno. Haga los ajustes necesarios para asegurarse que el cerco no se va a mover y que la pieza de trabajo está afianzada firmemente.

Ajustes al ángulo del cerco (Fig. 7)

Para hacer cortes en bisel, quítele el seguro al cerco y muévelo hasta que el ángulo deseado en la placa angular (A) quede alineado con el borde de la ranura (B) en la base, luego vuelva a ponerle el seguro al cerco.



La placa angular (A) está afianzada al cerco con tornillos (E) y su posición ha sido predeterminada en la fábrica. En caso que fuera necesario reajustar la placa angular para mayor precisión, siga los pasos a continuación.

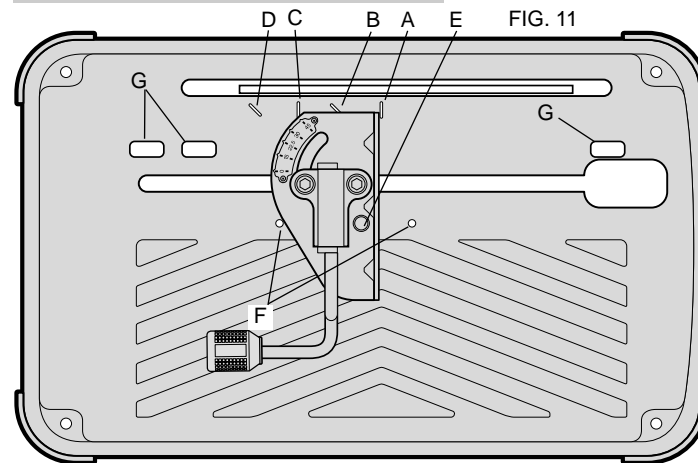
1. DESCONECTE LA FUENTE DE ENERGÍA.
2. Quítele el seguro al cerco y enclave el brazo en posición inferior de manera que la hoja se extienda hacia la base.
3. Coloque una escuadra (C) contra la hoja (D), ajuste el cerco contra la escuadra y vuelva a asegurar el cerco.
4. Quite el seguro y levante el brazo de la sierra.
5. Afloje los dos tornillos de la placa angular (E). Alinee la punta 0° con el borde de la ranura t (B) y vuelva a apretar los tornillos.

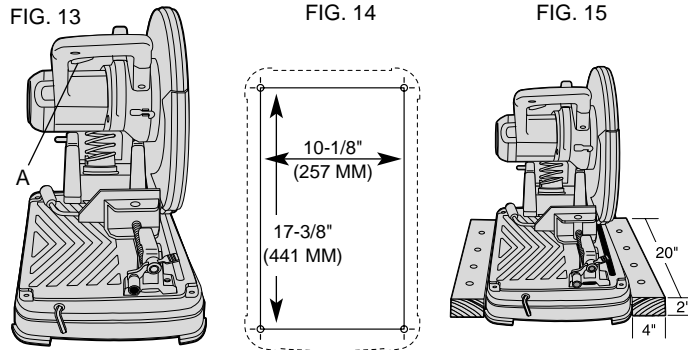
Ajuste del deflector de astillas (Fig. 8)

Para que las astillas caigan fuera del área inmediata o para que caigan en una tolva de colección, afloje el tornillo (A), ajuste el ángulo (B) del deflector de astillas y vuelva a apretar los tornillos.

Abrazadera auxiliar vertical (Fig. 9)

Es necesario usar la abrazadera auxiliar (A) cuando se corta material ancho, o de forma irregular, para hacer cortes en bisel o cuando el





cercos está en la posición posterior y el movimiento ascendente de corte de la hoja tiende a arrastrar la pieza de trabajo arriba del torno. Para usar la abrazadera, insértela en uno de los agujeros (Fig. 11,G) en la base hasta que la abrazadera esté reposando sobre la pieza de trabajo. Presione la palanca hacia abajo, según se muestra en la Fig. 9, para asegurar la pieza de trabajo en su lugar. Levante la palanca para soltar la presión de la abrazadera.

NOTA: Cuando sea necesario afianzar piezas delgadas, podría ser necesario utilizar una cuña o chapa delgada debajo de las mordazas de la abrazadera.

⚠ADVERTENCIA: Si no se utilizan abrazaderas verticales cuando se corte con el movimiento ascendente de corte de la hoja, podría causar daños serios a la herramienta y posiblemente lesiones personales.

Posicionamiento del material y consejos para afianzar el material (Fig. 10, 11, 12)

- APAGUE Y DESCONECTE LA HERRAMIENTA ANTES DE HACER CUALQUIER AJUSTE A LA SIERRA O CAMBIAR LA

POSICIÓN DE LA PIEZA DE TRABAJO.

- En general, coloque la pieza de trabajo de forma que se pueda cortar con el movimiento descendente de la sierra (área sombreada). La ranura A indica la mejor posición del cerco para cortes a 90° en general.
- Las ranuras (A) y (B) indican las mejores posiciones del cerco para cortes en 90° y 45°. Las ranuras (C) y (D) indican las mejores posiciones para las piezas de mayor tamaño. (Fig. 11)
- Una vez que se tenga el cerco alineado con una ranura, el perno (E) se insertará en el agujero correspondiente (F) en la base, para afianzar aún más la posición del cerco. Para mover el cerco a otra posición, tire del perno.
- El cerco se puede usar también para otros ángulos y otras posiciones, según se necesite.
- Las piezas largas deben estar soportadas por un bloque para que estén a nivel con la mesa en que está la sierra. El pedazo que se corte, debe caer libremente hacia abajo para evitar atascar la hoja.(Fig. 12)
- SIEMPRE ES NECESARIO AFIANZAR LA PIEZA DE TRABAJO FIRMEMENTE, SIN EXCEPCIÓN ALGUNA.
- Siempre sujete la pieza de trabajo con el torno de banco y con la abrazadera vertical, según se ha indicado.
- La abrazadera auxiliar, o cualquier otro dispositivo que se use de mordaza como una barra de resorte o las abrazaderas C, pueden complementar el torno de banco para sostener piezas de trabajo de ciertos tamaños o formas. Seleccione y coloque estas abrazaderas con cuidado. Haga una prueba en seco antes de hacer un corte.

Interruptor (Fig. 13)

Para encender la herramienta, oprima el interruptor de gatillo (A). Para apagarla, suelte el interruptor de gatillo. Mantenga las manos y materiales fuera del paso de la hoja, hasta que se detenga completamente.

⚠ **ADVERTENCIA:** Verifique que la hoja no está tocando la pieza de trabajo cuando se arranca la herramienta.

PIEZA DE TRABAJO CUANDO SE ENCIENDE LA HERRAMIENTA.

Lista de control para el proceso de aserrado

1. Antes de prender la herramienta, confirme que:
 - La herramienta está instalada firmemente en una superficie estable.
 - La hoja está instalada correctamente y el perno de la hoja está bien apretado.
 - El cerco está en la posición correcta y asegurado en su lugar.
 - La pieza de trabajo está firmemente sostenida por un torno de banco y sujeta con abrazaderas verticales según se ha indicado.
 - El ajuste del deflector de astillas es correcto
2. Arranque el motor y deje que la hoja alcance su velocidad plena.
3. Baje el mango suavemente para hacer contacto inicial con la pieza de trabajo. Una vez que haga contacto, aumente el régimen de alimentación, permitiendo que la hoja haga el trabajo. Aminoré la velocidad justo antes de terminar el corte.
4. Una vez que haya terminado el corte, apague la herramienta y mantenga las manos fuera del alcance de la hoja, hasta que deje de girar.

⚠ **ADVERTENCIA** Cuando corte piezas pequeñas (inferiores a 2,54 cm), los residuos pueden ser lanzados hacia la parte trasera de la herramienta.

Buen cuidado/ Prácticas de corte

Los dientes de la hoja están hechos de un material de carburo que aunque muy duro, es deleznable. La vibración aumenta las cargas laterales que pueden causar que se desconchen o astillen los dientes o que se raje la hoja. He aquí unos consejos muy importantes que le ayudarán a prolongar la vida de la hoja y de la

herramienta.

- Coloque la pieza de trabajo en el paso del recorrido descendente de la hoja (Figura 10) Los materiales deben estar firmemente afianzados y debidamente soportados para reducir vibraciones. **SIN EXCEPCIÓN ALGUNA.**
 - Nunca intente cortar un atado de varias piezas. Córtelas individualmente.
 - Coloque la pieza de trabajo de manera que la hoja corte pase por la sección transversal más pequeña.
 - En lo posible, evite cortar superficies grandes, planas, horizontales. Entre menor sea el número de dientes de la hoja que hacen contacto con la pieza de trabajo durante el corte, menor será el calor producido y más se prolongará la vida de la hoja.
2. Las siguientes condiciones son señal que la hoja está gastada y que es necesario volverla a afilar, o reemplazarla:
 - Rendimiento de corte inadecuado.
 - Crea más chispas que astillas durante un corte.
 - Aumenta el zumbido de la operación de la hoja.

Instrucciones para montaje permanente (Fig. 14)

(Recomendado cuando se van a hacer múltiples cortes en el mismo

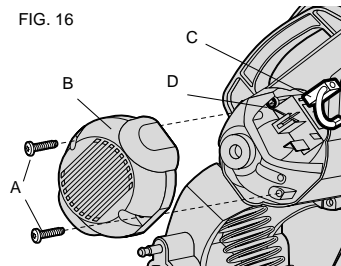
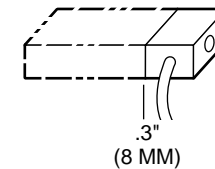


FIG. 17



lugar)

1. Perfore cuatro agujeros de 5/16" por la superficie de trabajo. (Figura 14)
2. Inserte tornillos de 1/4-20 por dichos agujeros hasta llegar a la base y por los agujeros en la superficie de montaje. La longitud aproximada de los tornillos debe ser el espesor de la superficie de montaje más 4 pulgadas.

Instalación del soporte

1. Corte dos tablas de 20" long. x 2" alto x 4" ancho aproximadamente.
2. Coloque la herramienta en lugar de trabajo deseado.
3. Coloque las tablas a ambos lados de la herramienta, lo más cerca posible de ella, y afiáncelas a la superficie de trabajo.

Mantenimiento

Inspección y reemplazo de las escobillas del motor (Fig. 16)

Confirme que la herramienta está desconectada antes de examinar las escobillas. Es necesario examinar las escobillas regularmente para ver si muestran señales de desgaste. Para examinar las escobillas, destornille los dos tornillos de cabeza en los extremos (A) y quite la cabeza (B). Para sacar las escobillas, (C) primero desconecte la conexión del terminal cable de derivación. Luego, con mucho cuidado, aparte hacia atrás el resorte de la escobilla (D) sacándolo de la caja de las escobillas y retire la escobilla. Las escobillas deberían deslizarse sin problemas en su caja. Si las escobillas están gastadas a .3" (8mm) (vea la Figura 17) es necesario reemplazarlas. Para volver a instalarlas, mueva el resorte hacia atrás fuera de la caja de las escobillas, inserte la escobilla, vuelva a poner el resorte en su lugar verificando que está presionando contra la escobilla y que no está tocando la caja de escobillas. Vuelva a conectar el terminal del cable de derivación, luego reemplace la cabeza del tornillo extremo y los dos tornillos.

Limpieza

Se recomienda sacar el polvo y arenilla del alojamiento principal y del deflector de astillas utilizando una aspiradora de aire. Esta tarea debe hacerse toda vez que se vea que se empiezan a acumular polvo alrededor de las orificios de ventilación..

Accesorios

Las hojas se pueden adquirir de su distribuidor local o de un centro de servicio autorizado, a un costo adicional. Si necesita ayuda en encontrar este accesorio para su herramienta, por favor contacte a: DeWALT Industrial Tool Co., 701 East Joppa Road, Baltimore, MD 21286

⚠PRECAUCIÓN: No se recomienda utilizar ningún otro accesorio con esta herramienta, pues puede ser peligroso.

Nota Importante

Para garantizar la SEGURIDAD y CONFIABILIDAD del producto, toda reparación, mantenimiento y ajustes aparte de los que trata este manual deben ser hechos en centros de servicio autorizados o por cualquier otra entidad de servicio calificada, siempre usando partes idénticas de reemplazo.

Lubricación

Esta herramienta cuenta con cojinetes de bolas de tipo cerrado, con sello de grasa. En la fábrica se ha empacado suficiente lubricación en estos cojinetes para dure la vida de la herramienta. .

Hay que lubricar los engranajes cada 60 a 90 días dependiendo del uso. Esta lubricación debe intentarlas solamente personal de reparación con experiencia en herramientas mecánicas, como los mecánicos en los centros de servicio DeWALT. Es necesario limpiar la caja de engranajes y aplicarle 1/2 oz. (16 gramos) de Lubricante DeWALT, Parte No. 790206 (tubo de 6 oz.) .

Garantía total

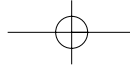
Las herramientas mecánicas de servicio pesado de DeWALT están

garantizadas por un año contado desde su fecha de compra. DeWALT se compromete a reparar, sin costo alguno, cualquier defecto debido a materiales o elaboración defectuosa. Para mayor información sobre la garantía, sírvase llamar al 1-900-4-DeWALT. Esta garantía no es de aplicación a los accesorios o a daños causados cuando otras personas han hecho o han intentando hacer reparaciones. Esta garantía le confiere derechos legales específicos, además los compradores pueden tener otros derechos que varían según el estado o la provincia.

Además de la garantía, las herramientas DeWALT están cubiertas por nuestra:

GARANTÍA DE SATISFACCIÓN SIN RIESGO 30 DÍAS

Si no está completamente satisfecho con el funcionamiento de su herramienta de uso industrial DeWALT, simplemente devuélvala a un vendedor participante dentro de 30 días para recibir un reembolso total de su precio de compra. Es posible que se necesite presentar prueba de compra.



Guía para Solución de Problemas

PROBLEMA! *La herramienta NO ENCIENDE*

QUÉ PASA?

- 1.La herramienta no está conectada.
- 2.Se ha fundido el fusible o disparado el circuito.
- 3.Cordón dañado.
- 4.Escobillas gastados.

PROBLEMA! *la sierra no corta bien*

QUÉ PASA?

1. Hoja roma.
2. La pieza de trabajo no está colocada ni afianzada debidamente .

PROBLEMA! *la hoja no alcanza velocidad*

QUÉ PASA?

- 1.El cordón de extensión es muy ligero o muy largo.
- 2.Baja tensión.
- 3.Baja tensión del generador. el generador.

PROBLEMA! *la herramienta vibra excesivamente DURANTE UN CORTE*

QUE PASA?

- 1.Tal vez la herramienta no esté asegurada firmemente a un puesto instalación permanente.
- 2.Hoja de corte dañada.
- 3.La pieza de trabajo no está sujeta debidamente.

PROBLEMA! *Los cortes no son precisos*

QUE PASA?

1. El cerco no está ajustado correctamente.
2. La hoja no está alineada con el cerco.
3. Fuerza excesiva para hacer un corte.
4. La pieza de trabajo se mueve.

PROBLEMA! *No se puede mover el brazo*

QUÉ PASA?

1. La protección auto-retractable de la hoja no se mueve.
2. El fiador del seguro está puesto.

PROBLEMA! *el material se mueve durante un corte*

QUÉ PASA?

1. El cerco se desliza o la pieza de trabajo no se ha puesto en la posición correcta, o no está debidamente sujeta.
- 2.El torno está muy flojo
- 3.Excesiva fuerza de corte.

QUÉ HACER ...

- 1.Conecte la sierra.
- 2.Reemplace el fusible o vuelva a iniciar el panel de circuitos.
- 3.Reemplace el cordón en un centro de servicio autorizado.
- 4.Reemplace las escobillas en un centro de servicio autorizado.

QUÉ HACER ...

1. Reemplace o afile la hoja. Consulte Buen Cuidado/Prácticas, págs. 28.
2. Afiance la pieza de trabajo y sopórtela debidamente. Consulte Posicionamiento y Sujeción del Material, página 28.

QUÉ HACER ...

- 1.Reemplácelo por uno de tamaño adecuado. Vea la tabla en la página 23.
- 2.Comuníquese con su compañía eléctrica.
- 3.Confirme la tensión de salida del generador. Reduzca el número de herramientas energizadas por

QUÉ HACER ...

- 1.Apriete todos los elementos de montaje. Consulte la página 28, Procedimientos para io banco de trabajo.
- 2.Reemplace la hoja.
- 3.Consulte, colocación del material y Prácticas, página 28 y Buen Cuidado y Prácticas de Corte, páginas 7 y 8.

QUÉ HACER ...

1. Confirme la posición del cerco y haga los ajustes correspondientes. Vea Operación del Cerco, página 26.
2. Verifique la posición y ajústela. Vea Ajuste al Angulo del Cerco, página 26.
3. Reduzca la presión de corte, deje que la hoja haga el trabajo.
4. Asegure la pieza de trabajo firmemente en su lugar. Vea Posicionamiento y Sujeción del Material, página 27. Confirme que el material descansa plano sobre la base.

QUÉ HACER ...

- 1.Revise la hoja a ver si hay partes averiadas. Vea si hay demasiadas astillas en la protección. Repárela, o reemplácela, según sea necesario.
2. Empuje el brazo hacia abajo levemente, saque el fiador del seguro. Vuelva a levantar el brazo. Vea página 25.

QUÉ HACER ...

- 1.Vea Posicionamiento y Sujeción del Material, página 28.
- 2.Apriete las prensa vertical auxiliar
- 3.Reduzca la fuerza de corte.

